

Features

- Wide Operating Voltage Range: 3.3V~80V
- Low Quiescent Current : 1.5mA
- Device HBM ESD Classification Level Class3B
- Reverse Supply Protection
- Excellent Magnetic Field Symmetry
- 40mA Load Capacity
- SOT23-3 package
- Magnetic Field Operate Point : 80Gs
- Magnetic Field Release Point : -80Gs

Applications

- Power Tools
- Flow Meters
- Valve and Solenoid Status
- Brushless DC Motors
- Tachometers

General Description

The XL534 is a latching Hall switch sensor that optimized for wide voltage, low quiescent current and wide temperature range. XL534 supports a power supply voltage of up to 85V and provide a load capacity of up to 40mA. Widely used in automotive electronics, industrial control and other applications. Adopting a collector open circuit output architecture, it has strong resistance to electromagnetic interference.

The XL534 integrates a reference voltage source, temperature compensation, Hall array, differential comparator, hysteresis latch, and power output stage, providing high magnetic field response sensitivity, symmetry, and strong immunity to electromagnetic interference over the full voltage range and full temperature range.

Typical application schematic

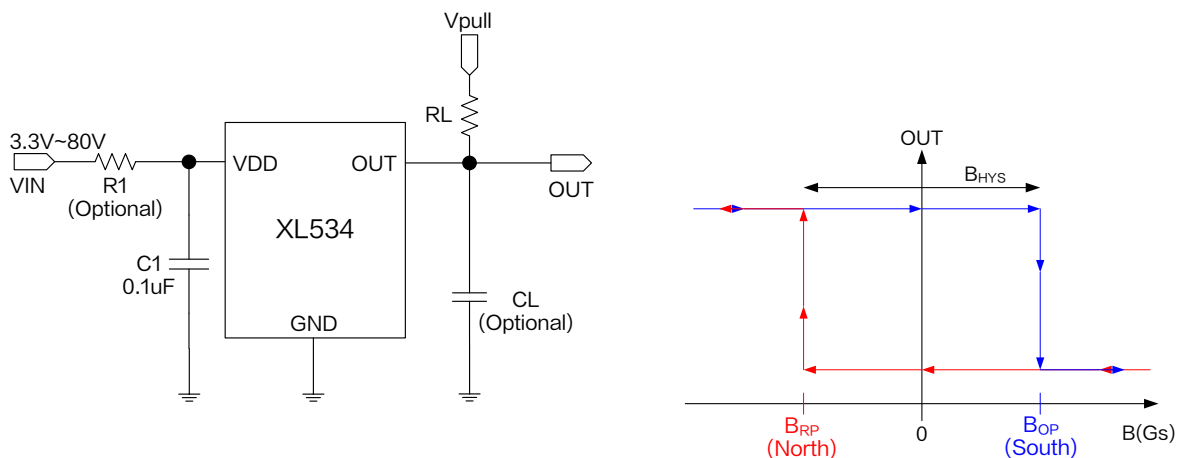


Figure1. XL534 Typical application schematic and output characteristic curve

Pin Configurations

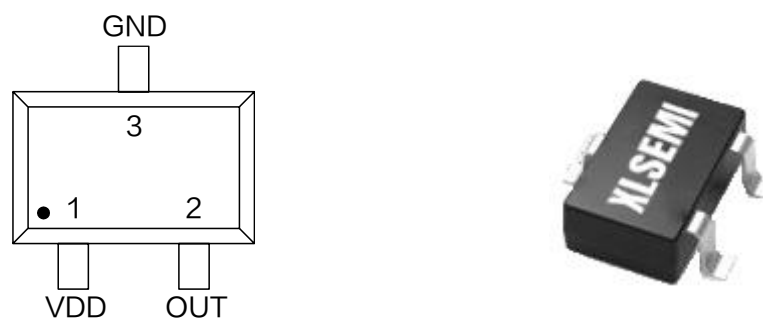


Figure2. Pin Configuration of XL534

Table 1 Pin Description

Pin Number	Pin Name	Description
1	VDD	Supply Voltage Input Pin. XL534 operates from 3.3V to 80V DC voltage.
2	OUT	Open Collector Output Pin, requires a resistor pull-up.
3	GND	Ground pin.

Ordering Information

Order Information	Marking ID	Package Type	Eco Plan	Packing Type Supplied As
XL534	XL534	SOT23-3	RoHS & HF	3000 Units Per Reel

Function Block

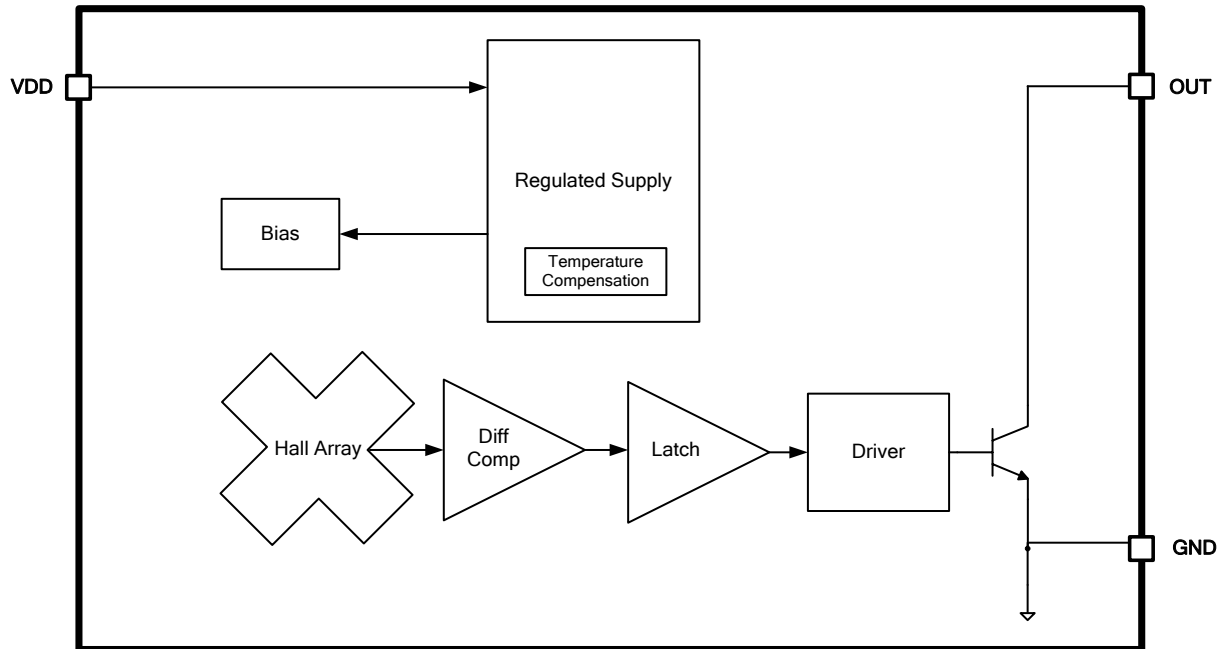


Figure3. Function Block Diagram of XL534

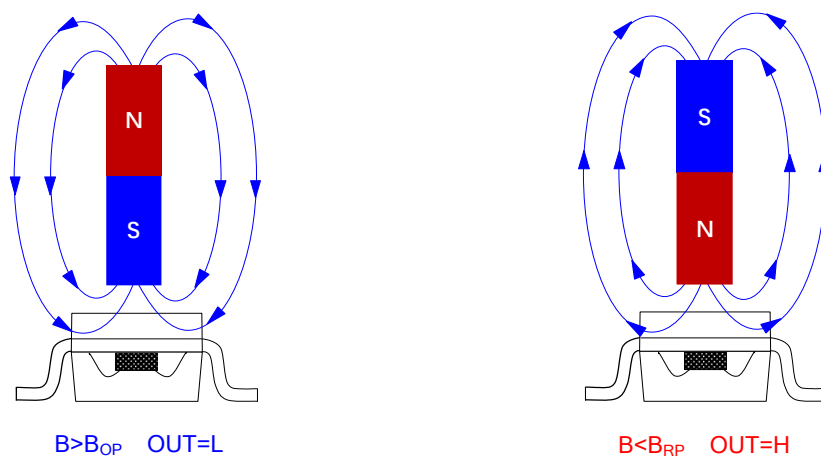


Figure4. Magnetic Field Direction Definition

Latching Hall Switch Sensor

XL534

Absolute Maximum Ratings (Note1)

Parameter	Symbol	Value	Unit
Input Voltage	V_{DD}	-85 ~ 85	V
Output Pin Voltage	V_{OUT}	-0.5 ~ 85	V
Output Pin Current Sink	I_{SINK}	0 ~ 50	mA
Thermal Resistance (SOT23-3) (Junction to Ambient, No Heatsink, Free Air)	R_{JA}	200	°C/W
Operating Temperature	T_A	-40 ~ 125	°C
Operating Junction Temperature	T_J	-40 ~ 150	°C
Storage Temperature	T_{STG}	-65 ~ 150	°C
Lead Temperature (Soldering, 10 sec)	T_{LEAD}	260	°C
ESD (HBM)		>8000	V

Note1: Stresses greater than those listed under Maximum Ratings may cause permanent damage to the device. This is a stress rating only and functional operation of the device at these or any other conditions above those indicated in the operation is not implied. Exposure to absolute maximum rating conditions for extended periods may affect reliability.

Latching Hall Switch Sensor

XL534

XL534 Electrical Characteristics

$T_A = 25^\circ\text{C}$, $V_{DD} = V_{pull} = 5\text{V}$, $R_L = 1\text{k}\Omega$, $R_1 = 0\Omega$; system parameters test circuit figure1, unless otherwise specified.

Parameters	Symbol	Test Condition	Min.	Typ.	Max.	Unit
Operation Voltage	V_{DD}		3.3		80	V
Reverse Supply Voltage	V_{DDR}		-80			V
Operation Supply Current	I_{DD_H}	OUT=H		1.5		mA
	I_{DD_L}	OUT=L		2.4		mA
Power-on time	t_{ON}			35	50	μs
Output Saturation Voltage	V_{sat}	$I_{OUT} = 30\text{mA}$		0.2	0.3	V
Output Delay Time	t_d	$B = B_{RP}$ to B_{OP}		10	25	μs
Output Rise Time	t_r	$CL = 50\text{pF}$			0.5	μs
Output Fall Time	t_f	$CL = 50\text{pF}$			0.2	μs

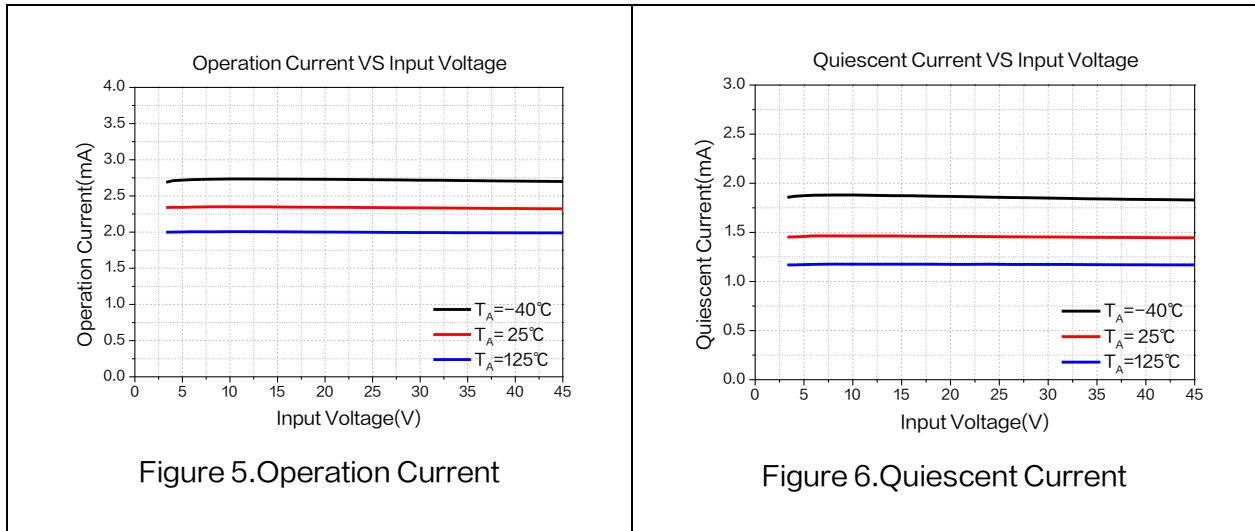
XL534 Magnetic Characteristics (Note2)

$T_A = 25^\circ\text{C}$, $V_{DD} = V_{pull} = 5\text{V}$, $R_L = 1\text{k}\Omega$, $R_1 = 0\Omega$; system parameters test circuit figure1, unless otherwise specified.

Parameters	Symbol	Test Condition	Min.	Typ.	Max.	Unit
Bandwidth	f_{BW}				100	KHz
Magnetic Field Operate Point	B_{OP}		+20	+80	+120	Gs
Magnetic Field Release Point	B_{RP}		-120	-80	-20	Gs
Magnetic Hysteresis	B_{HYS}			160		Gs
Magnetic Offset	B_O	$B_O = (B_{OP} + B_{RP})/2$	-50	0	+50	Gs

Note2 : A south pole near the marked side of the package is a positive magnetic field; Powering-on the device in the hysteresis region allows an indeterminate output state. The correct state is attained after the first excursion beyond B_{OP} or B_{RP} .

Typical Characteristics

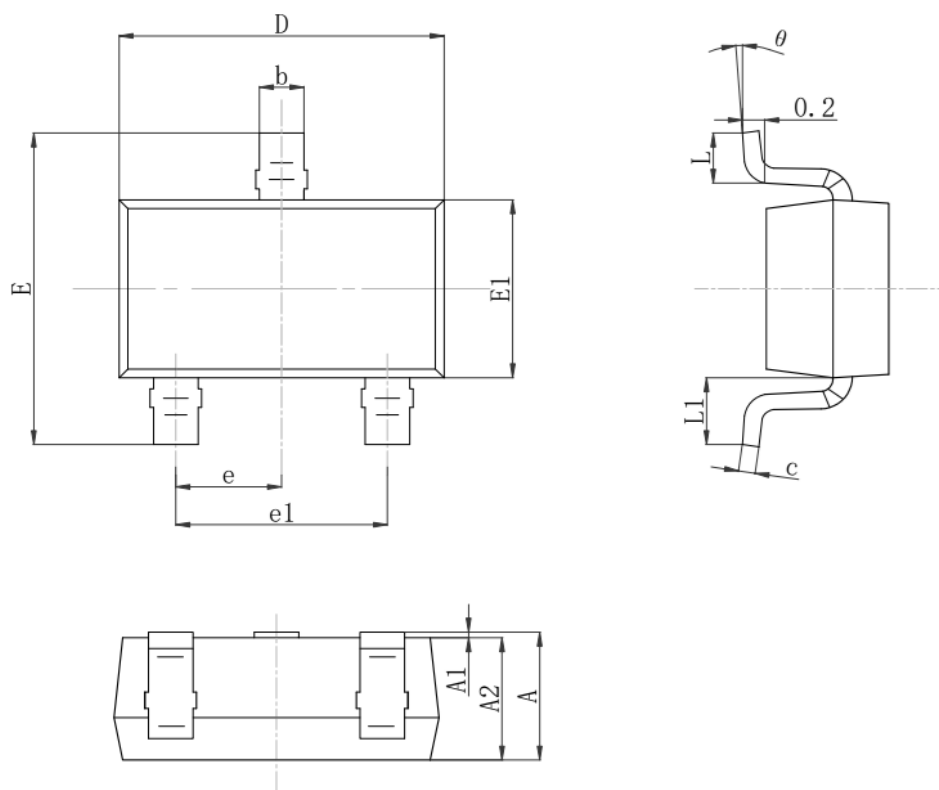


Latching Hall Switch Sensor

XL534

Package Information

SOT23-3



Symbol	Dimensions In Millimeters		Dimensions In Inches	
	Min.	Max.	Min.	Max.
A	1.05	1.25	0.041	0.049
A1	0.00	0.10	0.000	0.004
A2	1.05	1.15	0.041	0.045
b	0.30	0.50	0.012	0.020
c	0.10	0.20	0.004	0.008
D	2.82	3.05	0.111	0.120
E1	1.50	1.70	0.059	0.067
E	2.65	2.95	0.104	0.116
e	0.95 REF.		0.037 REF.	
e1	1.80	2.00	0.071	0.079
L	0.30	0.60	0.012	0.024
L1	0.57	0.63	0.022	0.025
θ	0°	8°	0°	8°

Latching Hall Switch Sensor	XL534
-----------------------------	-------

Important Notice

XLSEMI reserve the right to make modifications, enhancements, improvements, corrections or other changes without notice at any time. XLSEMI does not assume any liability arising out of the application or use of any product described herein; neither does it convey any license under its patent rights, nor the rights of others. XLSEMI assumes no liability for applications assistance or the design of Buyers' products. Buyers are responsible for their products and applications using XLSEMI components. To minimize the risks associated with Buyers' products and applications, Buyers should provide adequate design and operating safeguards. XLSEMI warrants performance of its products to the specifications applicable at the time of sale, in accordance with the warranty in XLSEMI's terms and conditions of sale of semiconductor products. Testing and other quality control techniques are used to the extent XLSEMI deems necessary to support this warranty. Except where mandated by applicable law, testing of all parameters of each component is not necessarily performed.

For the latest product information, go to www.xlsemi.com.