

### Features

- Operation Voltage: 5V~45V
- 0.23V Constant Current Sense Voltage
- Directly drive 1~9 Series LED
- Current Sense Voltage Accuracy  $\pm 4\%$
- Fixed 150KHz Switching Frequency
- 4A Constant Output Current Capability
- Internal Optimize Power MOSFET
- High efficiency up to 97%
- Max. Output power up to 30W
- Excellent line and load regulation
- Built in thermal shutdown function
- Built in current limit protection function
- Temperature Grade 1:  $-40^{\circ}\text{C}$  to  $125^{\circ}\text{C}$   
Ambient Operating Temperature Range
- Device HBM ESD Classification Level Class3A
- Available in TO252-5L package

### General Description

The XL9514 is a 150KHz fixed frequency PWM synchronous buck LED constant current driver, capable of driving a 4A load with high efficiency, low ripple and excellent line and load regulation. XL9514 supports wide input operating voltage range of 5V ~ 45V and a maximum duty cycle of 90% output. A built-in loop compensation module reduces components in the system, lowering power system cost and reducing printed circuit board space.

The XL9514 has built-in thermal shutdown, current limit protection and output short protection function and so on.

### Applications

- Buck constant current driver
- Monitor LED Backlighting
- General purpose LED lighting

### Typical application schematic

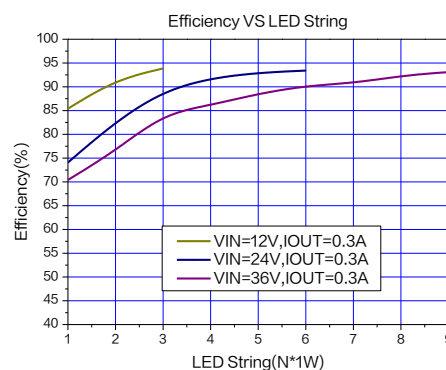
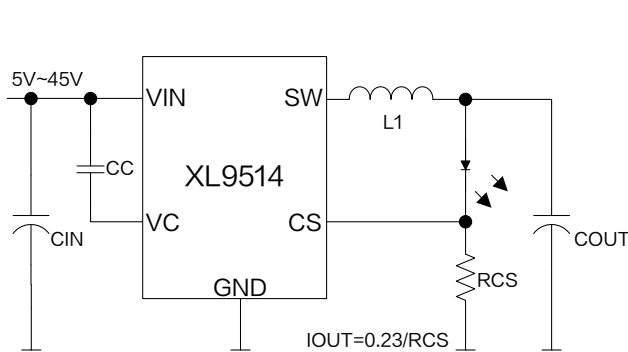


Figure1. XL9514 Typical application schematic and efficiency curve

### Pin Configurations

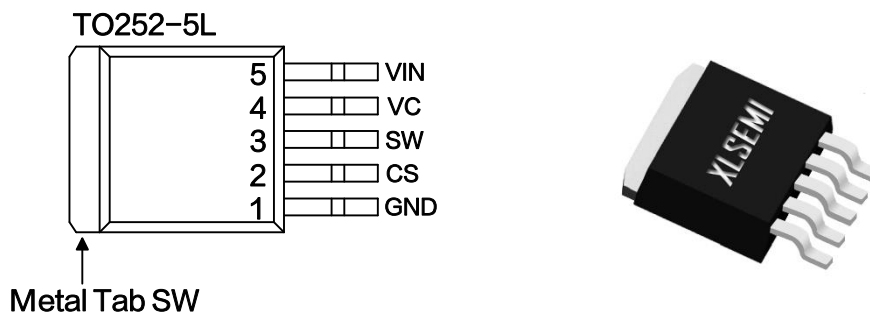


Figure2. Pin Configuration of XL9514

Table 1 Pin Description

Pin Number	Pin Name	Description
1	GND	Ground Pin.
2	CS	Output constant current sense Pin (CS). The CS reference voltage is 0.23V.
3	SW	Power Switch Output Pin (SW). Output is the switch node that supplies power to the output.
4	VC	Internal Voltage Regulator Bypass Capacity. In typical system application, The VC pin connect a 1uF capacitor to VIN.
5	VIN	Supply Voltage Input Pin. XL9514 operates from 5V to 45V DC voltage. Bypass Vin to GND with a suitably large capacitor to eliminate noise on the input.

### Ordering Information

Order Information	Marking ID	Package Type	Eco Plan	Packing Type Supplied As
XL9514	XL9514	TO252-5L	RoHS & HF	2500 Units on Reel

### Function Block

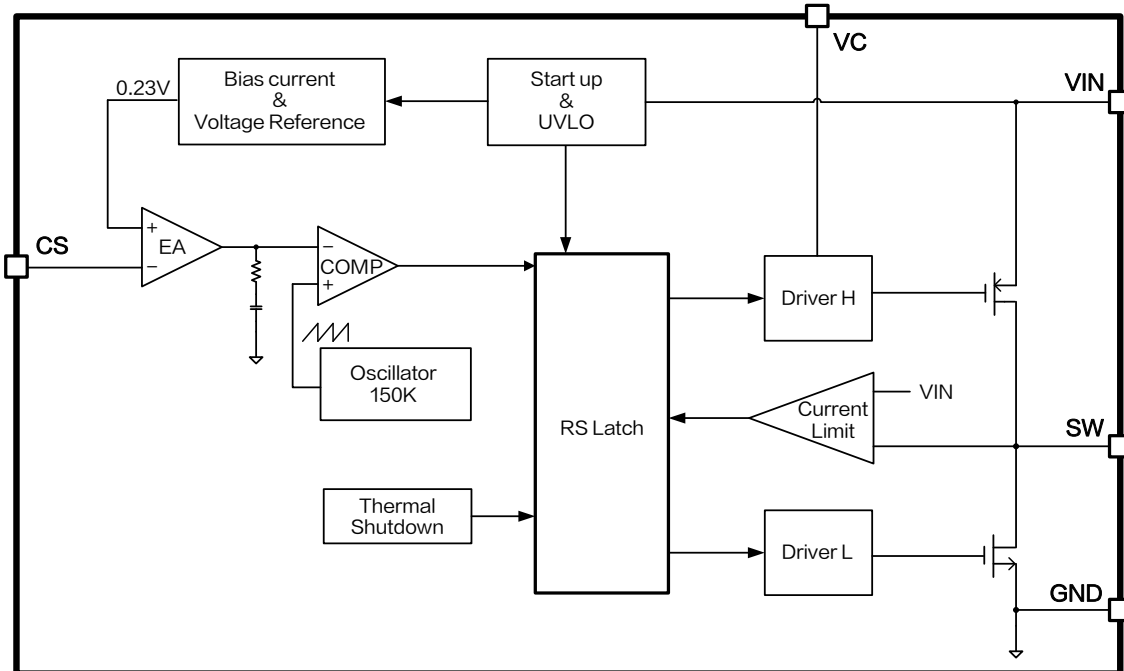


Figure3. Function Block Diagram of XL9514

### Absolute Maximum Ratings ( Note1 )

Parameter	Symbol	Value	Unit
Input Voltage	$V_{IN}$	-0.3~50	V
Current Sense Pin Voltage	$V_{CS}$	-0.3~7	V
Output Switch Pin Voltage	$V_{SW}$	-0.3~ $V_{IN}$	V
VC Pin Voltage	$V_C$	-0.3~ $V_{IN}$	V
Power Dissipation	$P_D$	Internally limited	mW
Thermal Resistance (TO252-5L) (Junction to Ambient, No Heatsink, Free Air)	$R_{JA}$	50	°C/W
Operating Junction Temperature	$T_J$	-40~150	°C
Storage Temperature	$T_{STG}$	-65~150	°C
Lead Temperature (Soldering, 10 sec)	$T_{LEAD}$	260	°C
ESD (HBM)		>7000	V

**Note1:** Stresses greater than those listed under Maximum Ratings may cause permanent damage to the device. This is a stress rating only and functional operation of the device at these or any other conditions above those indicated in the operation is not implied. Exposure to absolute maximum rating conditions for extended periods may affect reliability.

## 4.0A 150KHz 50V Synchronous Buck LED Constant Current Driver

XL9514

### XL9514 Electrical Characteristics

$T_A = 25^\circ\text{C}$ ; system parameters test circuit figure4, unless otherwise specified.

Symbol	Parameter	Test Condition	Min.	Typ.	Max.	Unit
$V_{CS}$	Current Sense Voltage	$V_{IN} = 12\text{V}, V_{OUT} = 3.3\text{V}$ $I_{OUT} = 0.3\text{A}$	220.8	230.0	239.2	mV
$\eta$	Efficiency	$V_{IN} = 12\text{V}, V_{OUT} = 9.9\text{V}$ $I_{OUT} = 0.3\text{A}$	-	93.9	-	%
$\eta$	Efficiency	$V_{IN} = 24\text{V}, V_{OUT} = 19.8\text{V}$ $I_{OUT} = 0.9\text{A}$	-	97.1	-	%

### Electrical Characteristics (DC Parameters)

$T_A = 25^\circ\text{C}, V_{IN} = 12\text{V}$ ; system parameters test circuit figure4, unless otherwise specified.

Parameters	Symbol	Test Condition	Min.	Typ.	Max.	Unit
Input operation voltage	$V_{IN}$		5		45	V
Quiescent Supply Current	$I_Q$	$V_{CS} = 2\text{V}$		2.8	5	mA
Oscillator Frequency	$F_{OSC}$		127	150	172	KHz
Switch Current Limit	$I_L$	$V_{CS} = 0\text{V}$		4.2		A
High side MOS On-resistance	$R_{DS(ON)H}$			68		$\text{m}\Omega$
Low side MOS On-resistance	$R_{DS(ON)L}$			50		$\text{m}\Omega$
Thermal Shutdown Temperature	$T_{SD}$			160		$^\circ\text{C}$
Thermal Shutdown Hysteresis	$T_D$			20		$^\circ\text{C}$
Max. Duty Cycle	$D_{MAX}$			90		%

Typical System Application Schematic ( $I_{OUT}=0.3A$ )

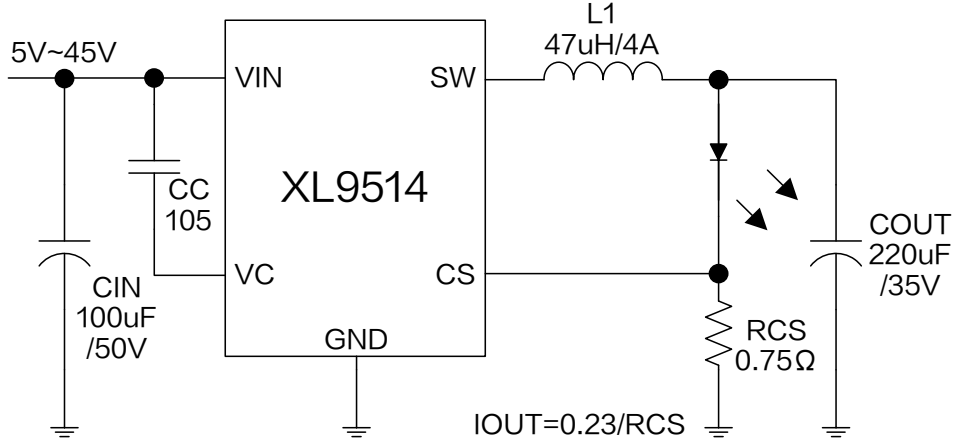


Figure4. XL9514 System Parameters Test Circuit ( $I_{OUT}=0.3A$ )

Typical System Application Transfer Efficiency

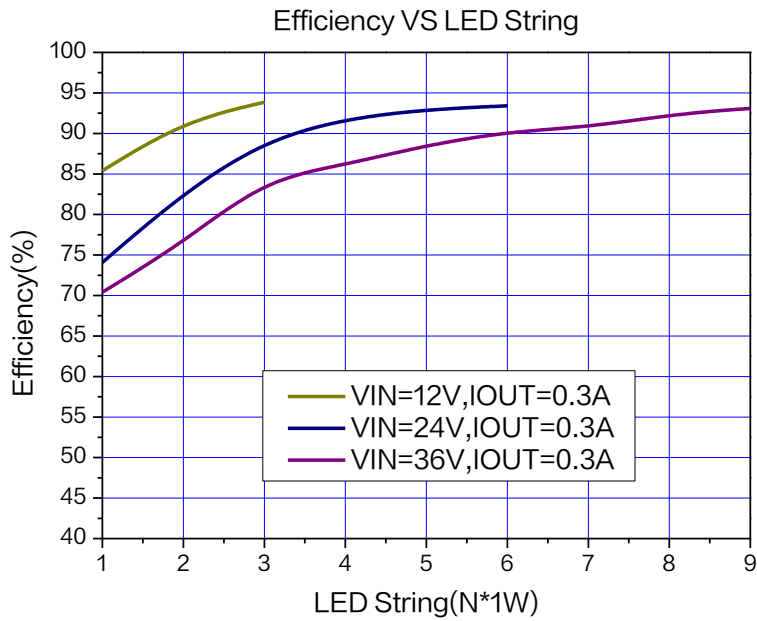


Figure5. XL9514 System Efficiency Curve ( $I_{OUT}=0.3A$ )

### Typical System Application Schematic ( $I_{OUT}=0.9A$ )

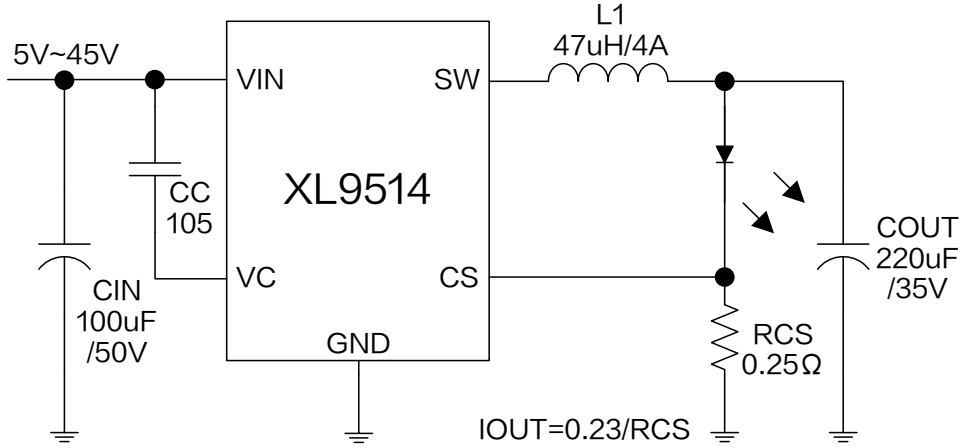


Figure6. XL9514 System Parameters Test Circuit ( $I_{OUT}=0.9A$ )

### Typical System Application Transfer Efficiency

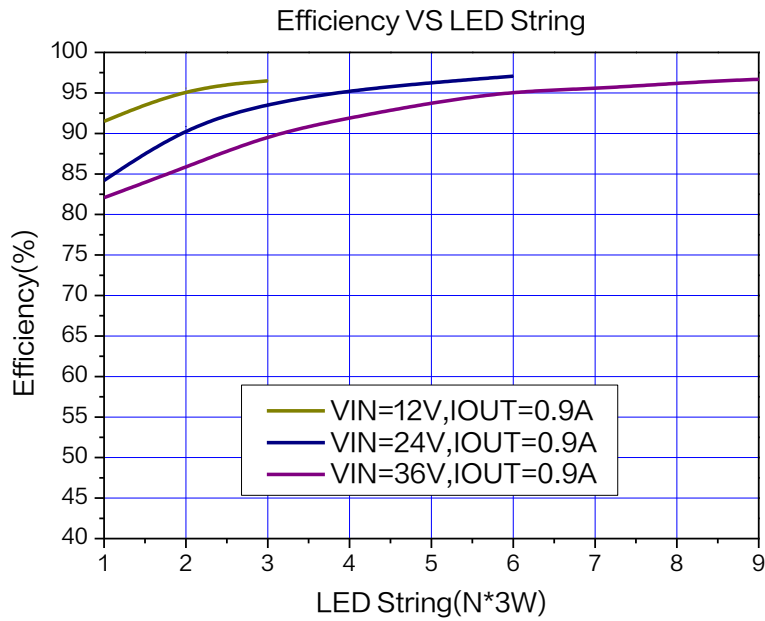


Figure7. XL9514 System Efficiency Curve ( $I_{OUT}=0.9A$ )

### Typical System Application Schematic ( $I_{OUT}=1.5A$ )

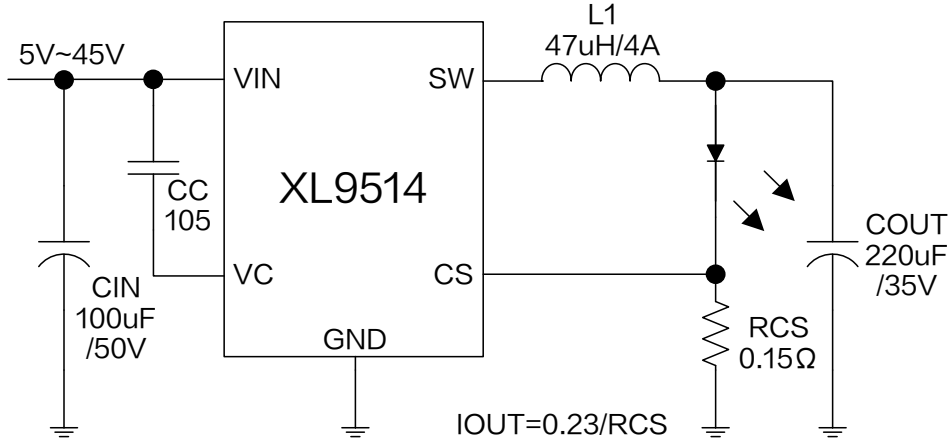


Figure8. XL9514 System Parameters Test Circuit ( $I_{OUT}=1.5A$ )

### Typical System Application Transfer Efficiency

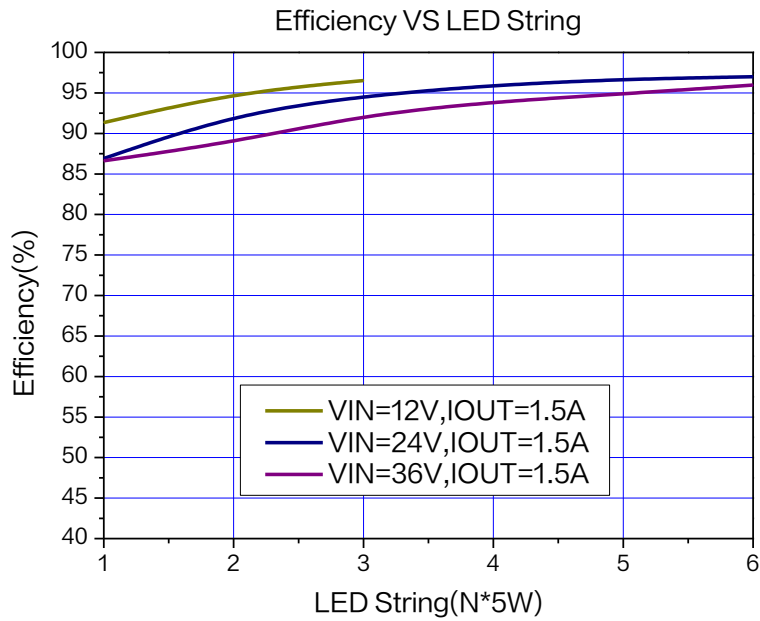


Figure9. XL9514 System Efficiency Curve ( $I_{OUT}=1.5A$ )

### Typical System Application Schematic ( $I_{OUT}=2.1A$ )

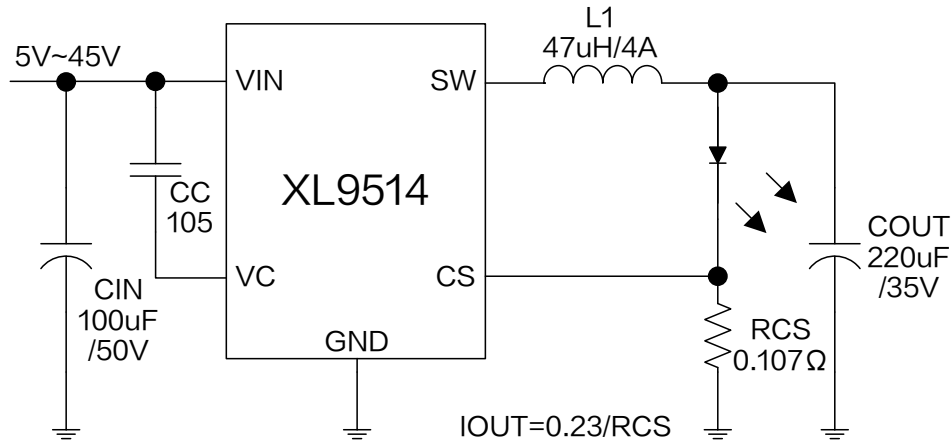


Figure10. XL9514 System Parameters Test Circuit ( $I_{OUT}=2.1A$ )

### Typical System Application Transfer Efficiency

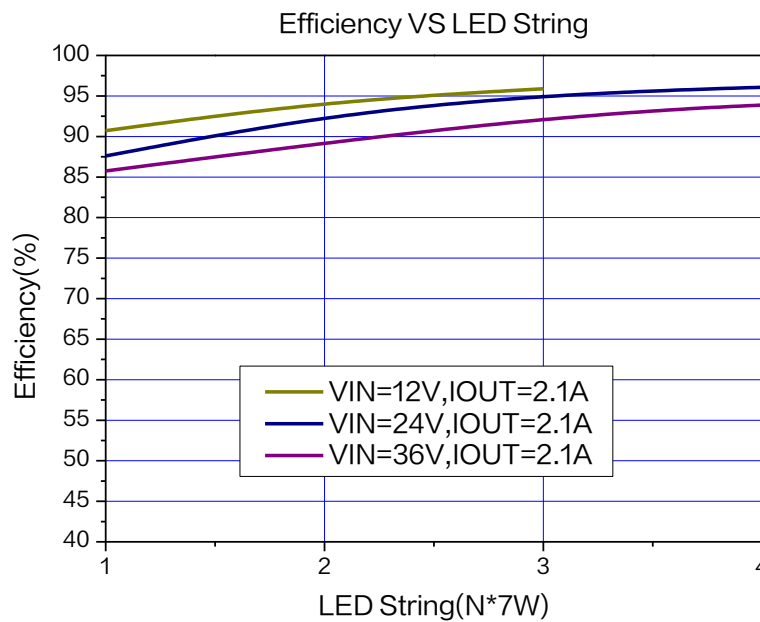


Figure11. XL9514 System Efficiency Curve ( $I_{OUT}=2.1A$ )



### Typical System Application ( PWM DIMMING )

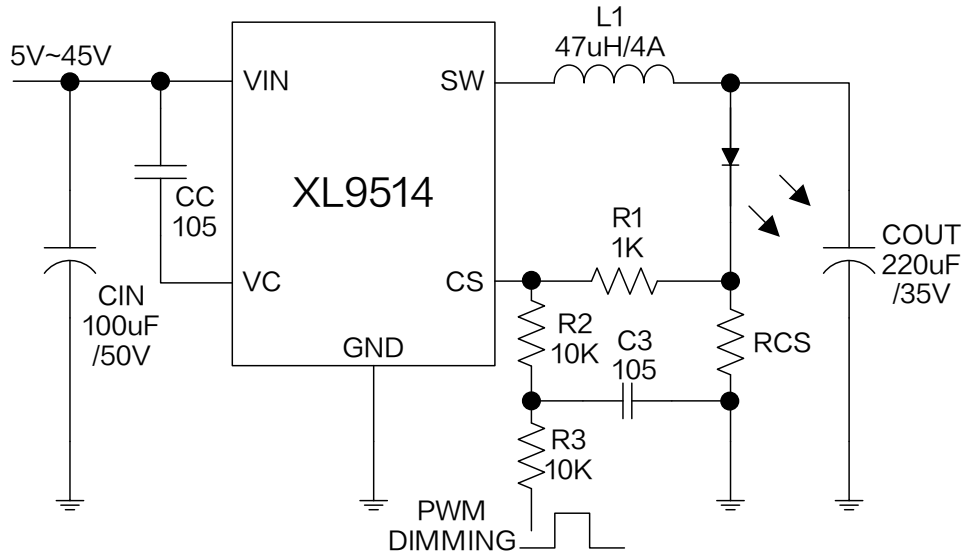


Figure12. XL9514 System Parameters Test Circuit ( PWM DIMMING )

Typical Characteristics (LED forward voltage  $V_F$  is 3.3V at  $I_F=0.3A$ , unless otherwise noted.)

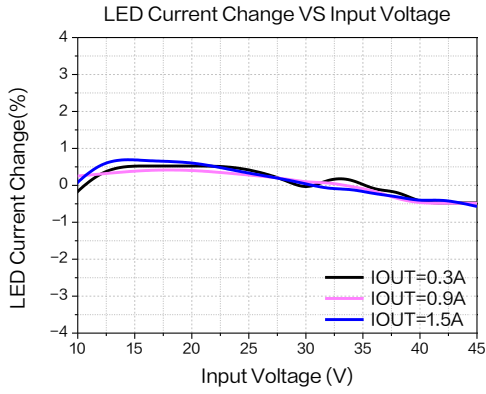


Figure13.Line Regulation

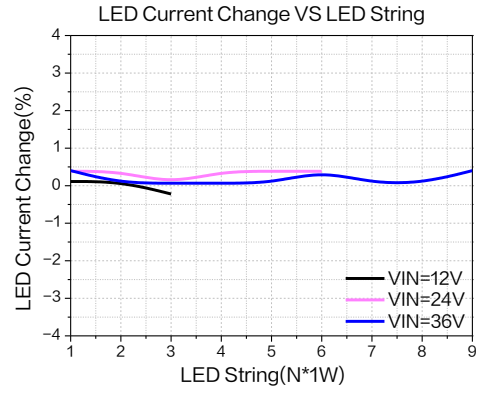


Figure14.Load Regulation

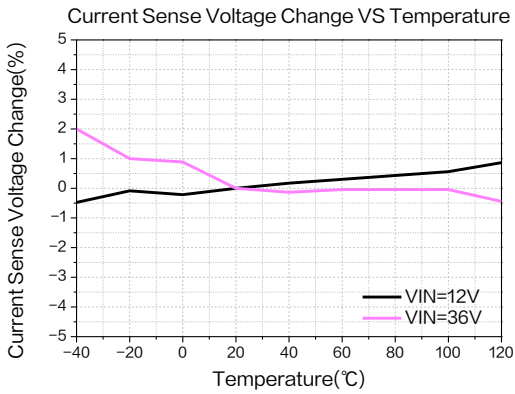


Figure15.Current Sense Voltage Regulation

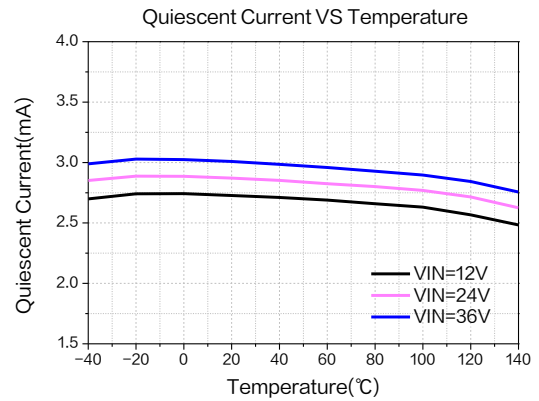


Figure16.Quiescent Current

## 4.0A 150KHz 50V Synchronous Buck LED Constant Current Driver

XL9514

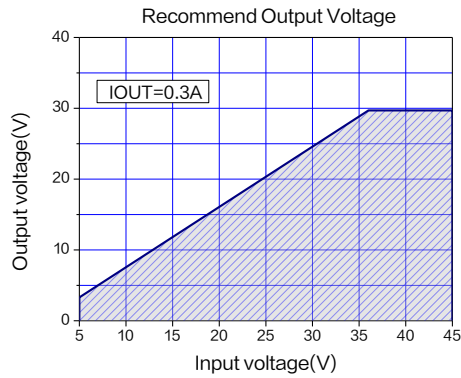


Figure17.Max Output Voltage  
( $I_{OUT}=0.3A$ ,  $T_A=25^\circ C$ )

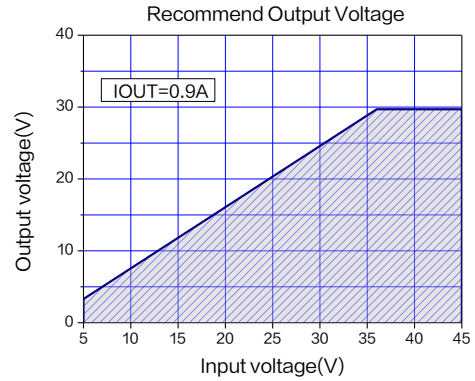


Figure18.Max Output Voltage  
( $I_{OUT}=0.9A$ ,  $T_A=25^\circ C$ )

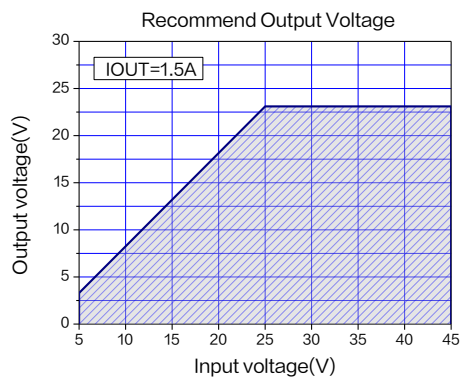


Figure19.Max Output Voltage  
( $I_{OUT}=1.5A$ ,  $T_A=25^\circ C$ )

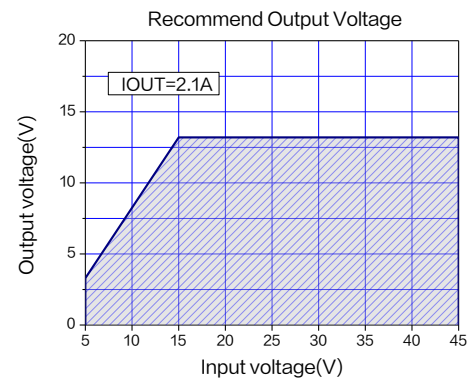


Figure20.Max Output Voltage  
( $I_{OUT}=2.1A$ ,  $T_A=25^\circ C$ )

## 4.0A 150KHz 50V Synchronous Buck LED Constant Current Driver

XL9514

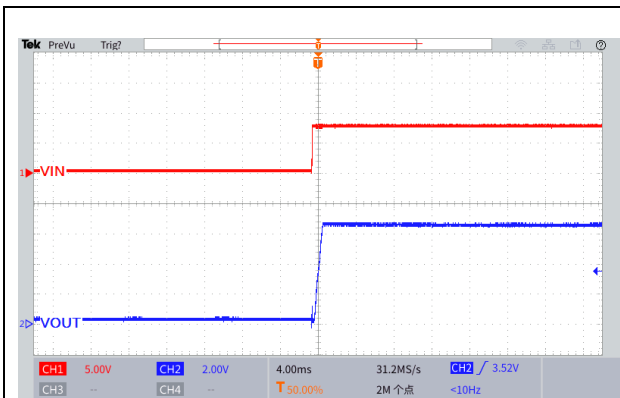


Figure21. Start-Up Characteristic  
( $V_{IN}=8V$ ,  $V_{OUT}=6.6V$ ,  $I_{OUT}=0.3A$ )

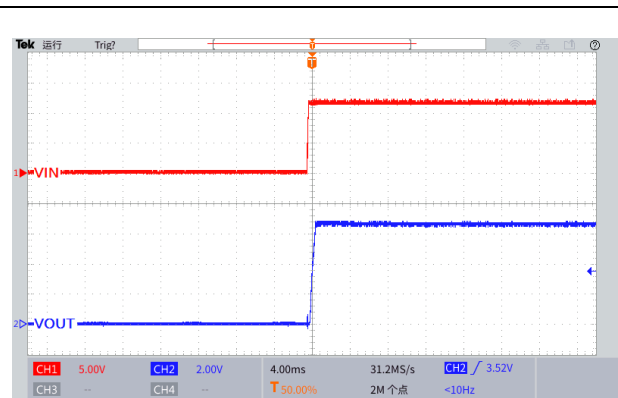


Figure22. Start-Up Characteristic  
( $V_{IN}=12V$ ,  $V_{OUT}=6.6V$ ,  $I_{OUT}=0.3A$ )

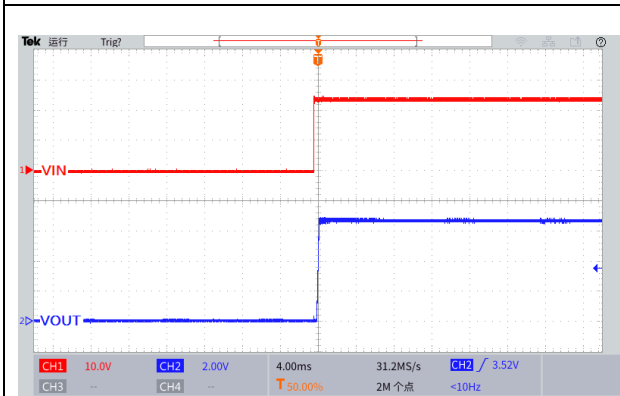


Figure23. Start-Up Characteristic  
( $V_{IN}=24V$ ,  $V_{OUT}=6.6V$ ,  $I_{OUT}=0.3A$ )

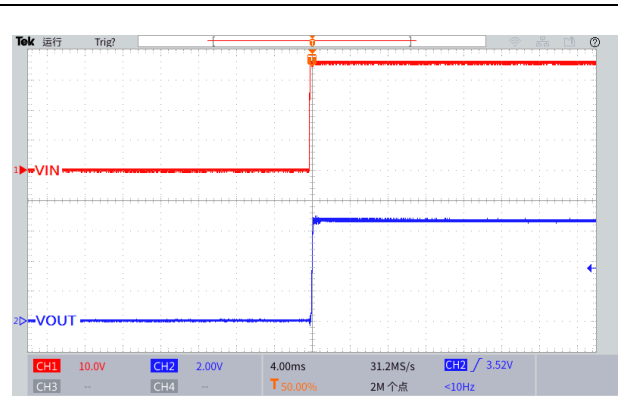


Figure24. Start-Up Characteristic  
( $V_{IN}=36V$ ,  $V_{OUT}=6.6V$ ,  $I_{OUT}=0.3A$ )

## 4.0A 150KHz 50V Synchronous Buck LED Constant Current Driver

XL9514

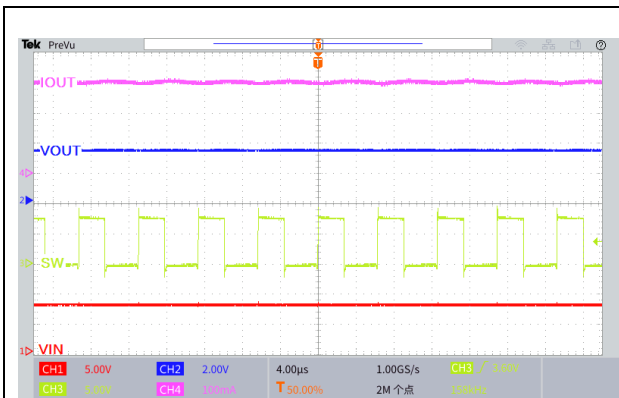


Figure25. LED Current Ripple  
( $V_{IN}=8V$ ,  $V_{OUT}=3.3V$ ,  $I_{OUT}=0.3A$ )

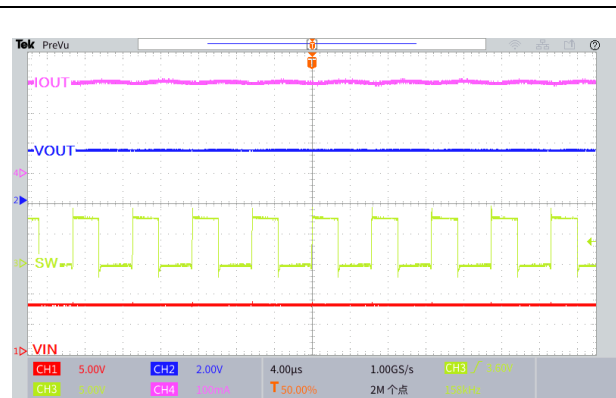


Figure26. LED Current Ripple  
( $V_{IN}=12V$ ,  $V_{OUT}=6.6V$ ,  $I_{OUT}=0.3A$ )

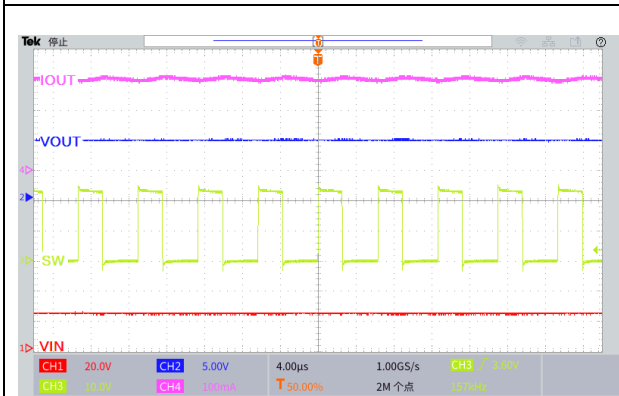


Figure27. LED Current Ripple  
( $V_{IN}=24V$ ,  $V_{OUT}=9.9V$ ,  $I_{OUT}=0.3A$ )

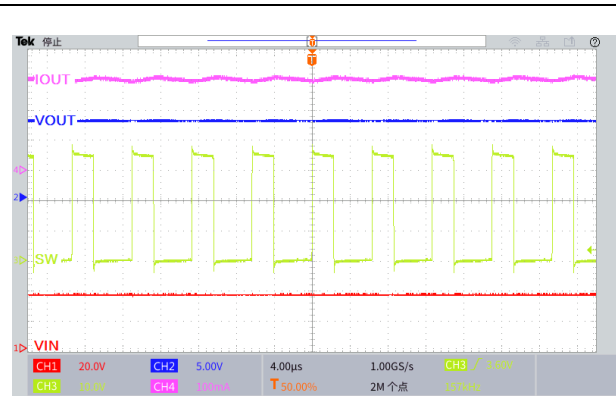
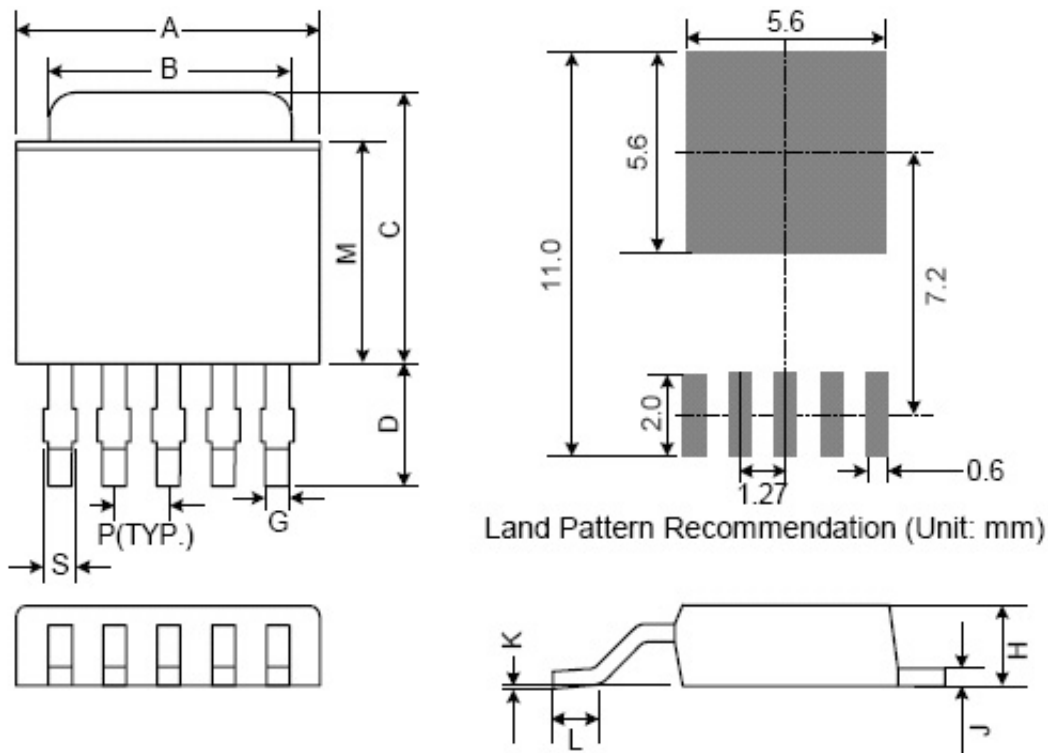


Figure28. LED Current Ripple  
( $V_{IN}=36V$ ,  $V_{OUT}=13.2V$ ,  $I_{OUT}=0.3A$ )

### Package Information

#### TO252-5L



Symbol	Dimensions In Millimeters			Dimensions In Inches		
	Min.	Nom.	Max.	Min.	Nom.	Max.
A	6.35	6.60	6.85	0.250	0.260	0.270
B	5.20	5.35	5.50	0.205	0.211	0.217
C	6.80	7.00	7.30	0.268	0.276	0.287
D	2.40	2.80	3.20	0.094	0.110	0.126
P	1.27 REF.			0.05 REF.		
S	0.50	0.65	0.80	0.020	0.026	0.031
G	0.40	0.50	0.63	0.016	0.020	0.025
H	2.20	2.30	2.40	0.087	0.091	0.094
J	0.45	0.52	0.58	0.018	0.020	0.023
K	0.00	0.08	0.15	0.000	0.003	0.006
L	0.90	1.20	1.77	0.035	0.047	0.064
M	5.40	5.80	6.20	0.213	0.228	0.244

---

**4.0A 150KHz 50V Synchronous Buck LED Constant Current Driver****XL9514**

---

**Important Notice**

XLSEMI reserve the right to make modifications, enhancements, improvements, corrections or other changes without notice at any time. XLSEMI does not assume any liability arising out of the application or use of any product described herein; neither does it convey any license under its patent rights, nor the rights of others. XLSEMI assumes no liability for applications assistance or the design of Buyers' products. Buyers are responsible for their products and applications using XLSEMI components. To minimize the risks associated with Buyers' products and applications, Buyers should provide adequate design and operating safeguards. XLSEMI warrants performance of its products to the specifications applicable at the time of sale, in accordance with the warranty in XLSEMI's terms and conditions of sale of semiconductor products. Testing and other quality control techniques are used to the extent XLSEMI deems necessary to support this warranty. Except where mandated by applicable law, testing of all parameters of each component is not necessarily performed.

For the latest product information, go to [www.xlsemi.com](http://www.xlsemi.com).