

Features

- Operation Voltage: 5V~45V
- 0.23V Constant Current Sense Voltage
- Directly drive 1~10 Series LED
- Current Sense Voltage Accuracy $\pm 3\%$
- Fixed 200KHz Switching Frequency
- 2A Constant Output Current Capability
- Internal Optimize Power MOSFET
- High efficiency up to 93%
- Max. Output power up to 10W
- Excellent line and load regulation
- EN PIN TTL ON/OFF capability
- Built in thermal shutdown function
- Built in current limit protection function
- Temperature Grade 1: -40°C to 125°C
Ambient Operating Temperature Range
- Device HBM ESD Classification Level
Class3A
- Available in SOP8 package

General Description

The XL9507 is a 200KHz fixed frequency PWM synchronous buck LED constant current driver, capable of driving a 2A load with high efficiency, low ripple and excellent line and load regulation. XL9507 supports wide input operating voltage range of 5V ~ 45V and a maximum duty cycle of 100% output. A built-in loop compensation module reduces components in the system, lowering power system cost and reducing printed circuit board space.

The XL9507 has built-in TTL ON/OFF capability, thermal shutdown, current limit protection and output short protection function and so on.

Applications

- Buck constant current driver
- Monitor LED Backlighting
- General purpose LED lighting

Typical application schematic

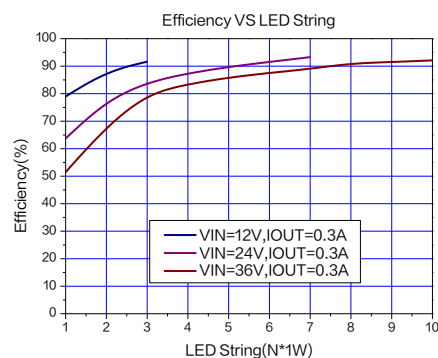
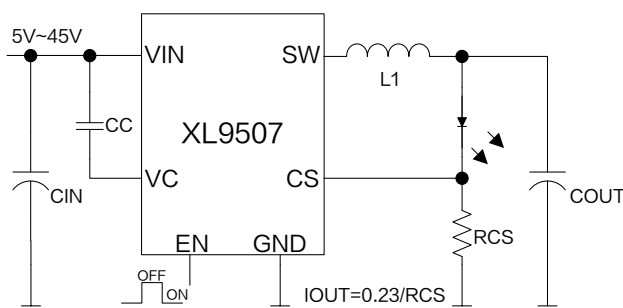


Figure1. XL9507 Typical application schematic and efficiency curve

Pin Configurations

CS	1	8	GND
EN	2	7	GND
	XL9507		
VC	3	6	SW
VIN	4	5	SW

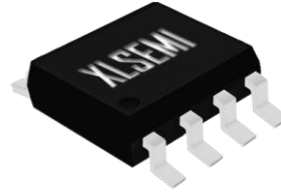


Figure2. Pin Configuration of XL9507

Table 1 Pin Description

Pin Number	Pin Name	Description
1	CS	Output constant current sense Pin (CS). The CS reference voltage is 0.23V.
2	EN	Enable Pin. Drive EN pin high to turn off the device, drive it low to turn it on. Floating is default low.
3	VC	Internal Voltage Regulator Bypass Capacity. In typical system application, The VC pin connect a 1uF capacitor to VIN.
4	VIN	Supply Voltage Input Pin. XL9507 operates from 5V to 45V DC voltage. Bypass Vin to GND with a suitably large capacitor to eliminate noise on the input.
5,6	SW	Power Switch Output Pin (SW). Output is the switch node that supplies power to the output.
7,8	GND	Ground Pin.

Ordering Information

Order Information	Marking ID	Package Type	Eco Plan	Packing Type Supplied As
XL9507	XL9507	SOP8	RoHS & HF	4000 Units on Reel

Function Block

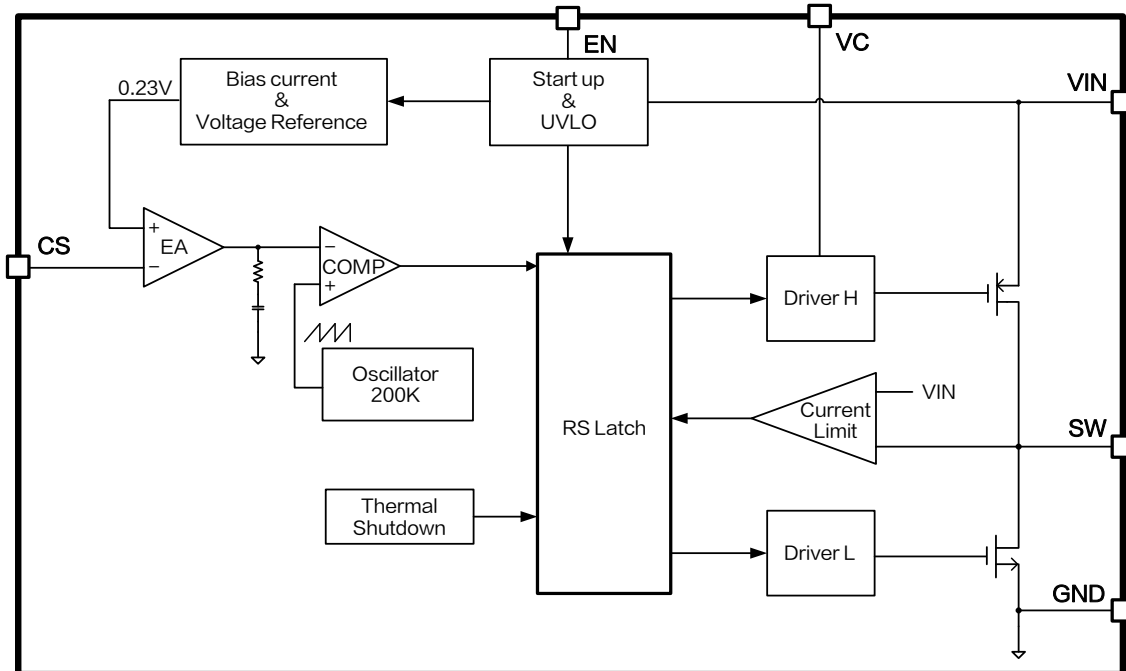


Figure3. Function Block Diagram of XL9507

Absolute Maximum Ratings (Note1)

Parameter	Symbol	Value	Unit
Input Voltage	V_{IN}	-0.3~50	V
EN Pin Voltage	V_{EN}	-0.3~7	V
Current Sense Pin Voltage	V_{CS}	-0.3~7	V
Output Switch Pin Voltage	V_{SW}	-0.3~ V_{IN}	V
VC Pin Voltage	V_C	-0.3~ V_{IN}	V
Power Dissipation	P_D	Internally limited	mW
Thermal Resistance (SOP8) (Junction to Ambient, No Heatsink, Free Air)	R_{JA}	100	°C/W
Operating Junction Temperature	T_J	-40~150	°C
Storage Temperature	T_{STG}	-65~150	°C
Lead Temperature (Soldering, 10 sec)	T_{LEAD}	260	°C
ESD (HBM)		>6000	V

Note1: Stresses greater than those listed under Maximum Ratings may cause permanent damage to the device. This is a stress rating only and functional operation of the device at these or any other conditions above those indicated in the operation is not implied. Exposure to absolute maximum rating conditions for extended periods may affect reliability.

2.0A 200KHz 50V Synchronous Buck LED Constant Current Driver

XL9507

XL9507 Electrical Characteristics

T_A = 25°C; system parameters test circuit figure4, unless otherwise specified.

Symbol	Parameter	Test Condition	Min.	Typ.	Max.	Unit
V _{CS}	Current Sense Voltage	V _{IN} =12V, V _{OUT} =3.3V I _{OUT} =0.3A	223.1	230.0	236.9	mV
η	Efficiency	V _{IN} =12V, V _{OUT} =9.9V I _{OUT} =0.3A	-	91.1	-	%
η	Efficiency	V _{IN} =12V, V _{OUT} =9.9V I _{OUT} =0.9A	-	93.2	-	%

Electrical Characteristics (DC Parameters)

T_A=25°C, V_{IN}=12V, V_{EN}=0V; system parameters test circuit figure4, unless otherwise specified.

Parameters	Symbol	Test Condition	Min.	Typ.	Max.	Unit
Input operation voltage	V _{IN}		5		45	V
Shutdown Supply Current	I _S	V _{EN} =2V		30	100	uA
Quiescent Supply Current	I _Q	V _{CS} =2V		2	5	mA
Oscillator Frequency	F _{OSC}		160	200	240	KHz
Switch Current Limit	I _L	V _{CS} =0V		2		A
EN Pin Threshold	V _{EN_H}	High(OFF)	1.4			V
	V _{EN_L}	Low(ON)			0.8	V
High side MOS On-resistance	R _{DS(ON)H}			68		mΩ
Low side MOS On-resistance	R _{DS(ON)L}			50		mΩ
Thermal Shutdown Temperature	T _{SD}			160		°C
Thermal Shutdown Hysteresis	T _D			20		°C
Max. Duty Cycle	D _{MAX}	V _{CS} =0V			100	%

2.0A 200KHz 50V Synchronous Buck LED Constant Current Driver XL9507

Typical System Application Schematic ($I_{OUT}=0.3A$)

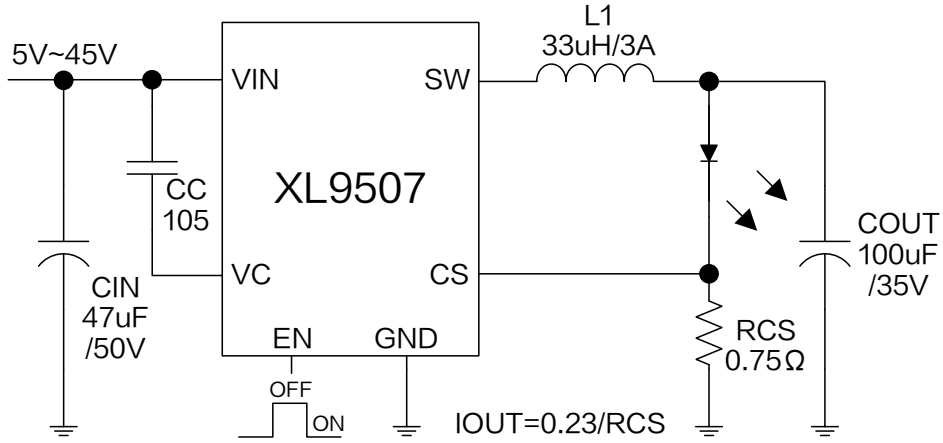


Figure4. XL9507 System Parameters Test Circuit ($I_{OUT}=0.3A$)

Typical System Application Transfer Efficiency

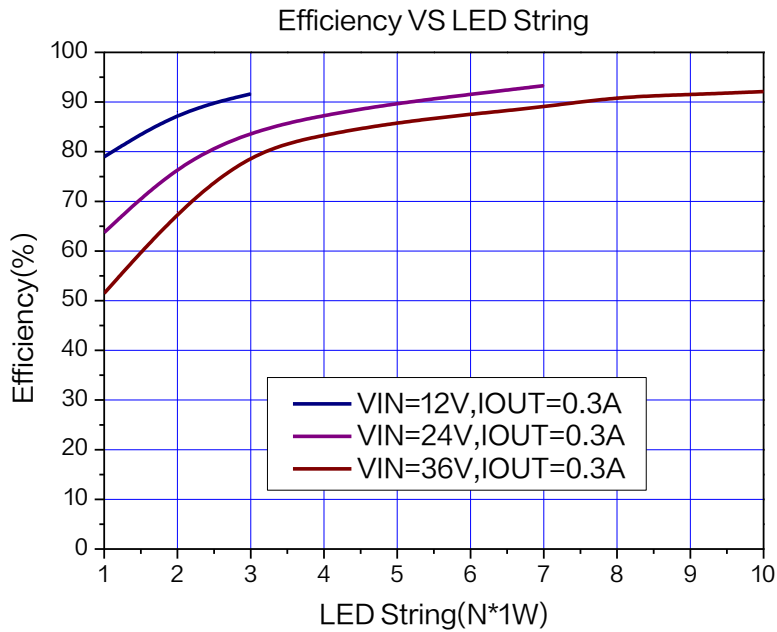


Figure5. XL9507 System Efficiency Curve ($I_{OUT}=0.3A$)

2.0A 200KHz 50V Synchronous Buck LED Constant Current Driver XL9507

Typical System Application Schematic ($I_{OUT}=0.6A$)

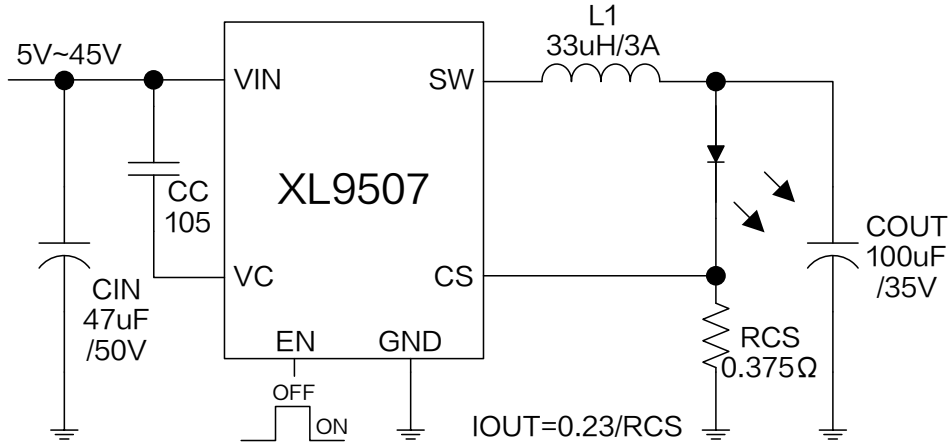


Figure6. XL9507 System Parameters Test Circuit ($I_{OUT}=0.6A$)

Typical System Application Transfer Efficiency

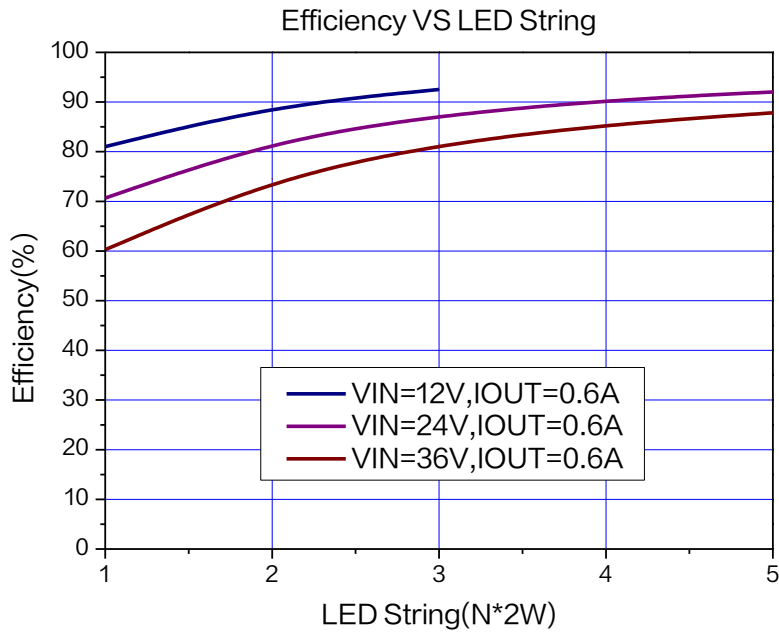


Figure7. XL9507 System Efficiency Curve ($I_{OUT}=0.6A$)

2.0A 200KHz 50V Synchronous Buck LED Constant Current Driver XL9507

Typical System Application Schematic (I_{OUT}=0.9A)

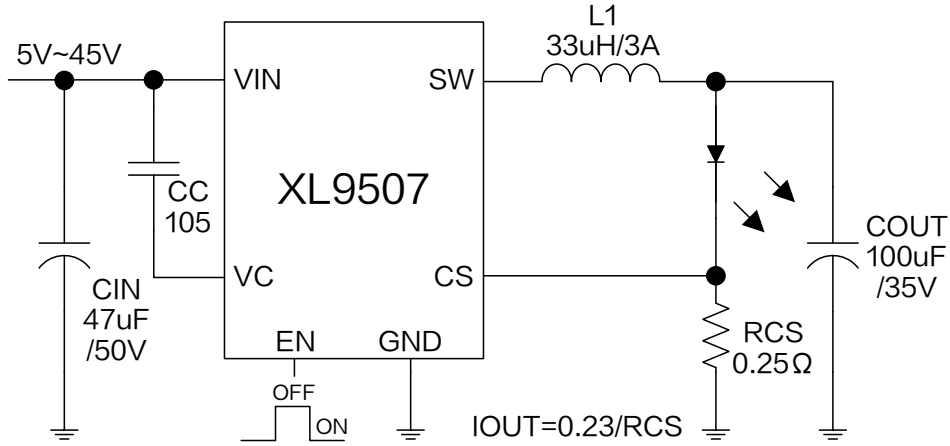


Figure8. XL9507 System Parameters Test Circuit (I_{OUT}=0.9A)

Typical System Application Transfer Efficiency

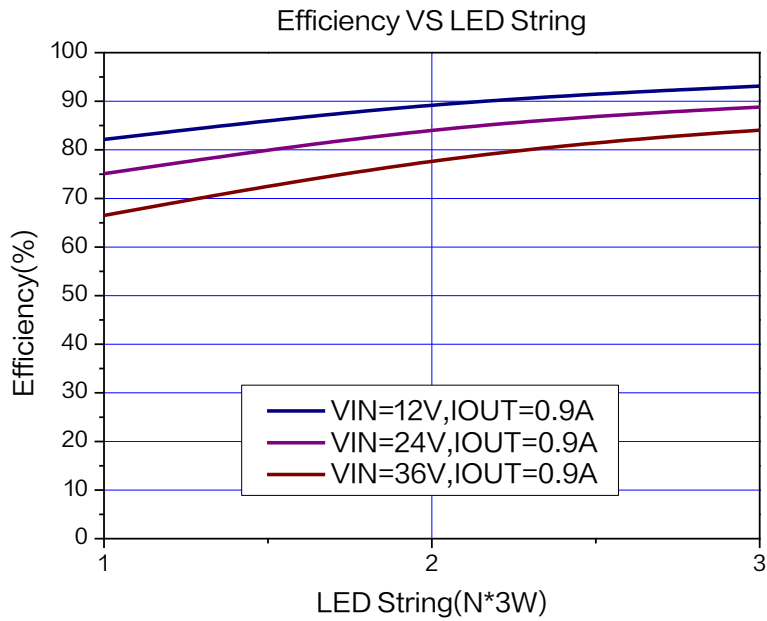


Figure9. XL9507 System Efficiency Curve(I_{OUT}=0.9A)

2.0A 200KHz 50V Synchronous Buck LED Constant Current Driver XL9507

Typical System Application Schematic ($I_{OUT}=1.2A$)

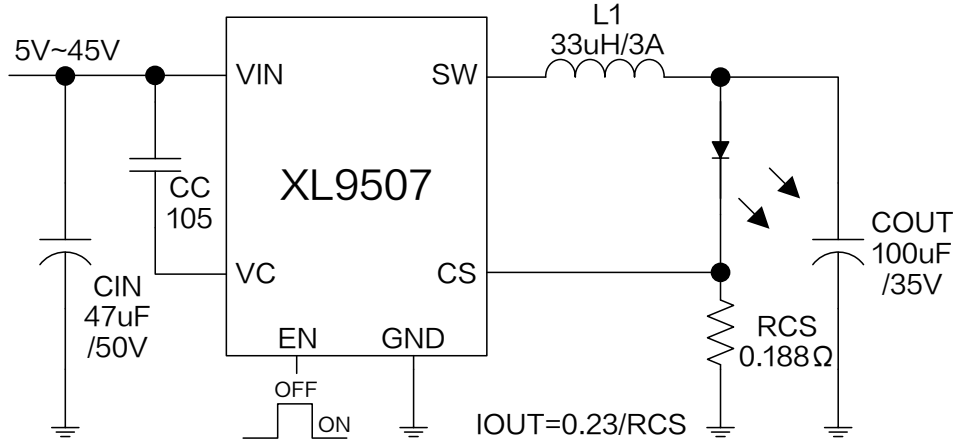


Figure10. XL9507 System Parameters Test Circuit ($I_{OUT}=1.2A$)

Typical System Application Transfer Efficiency

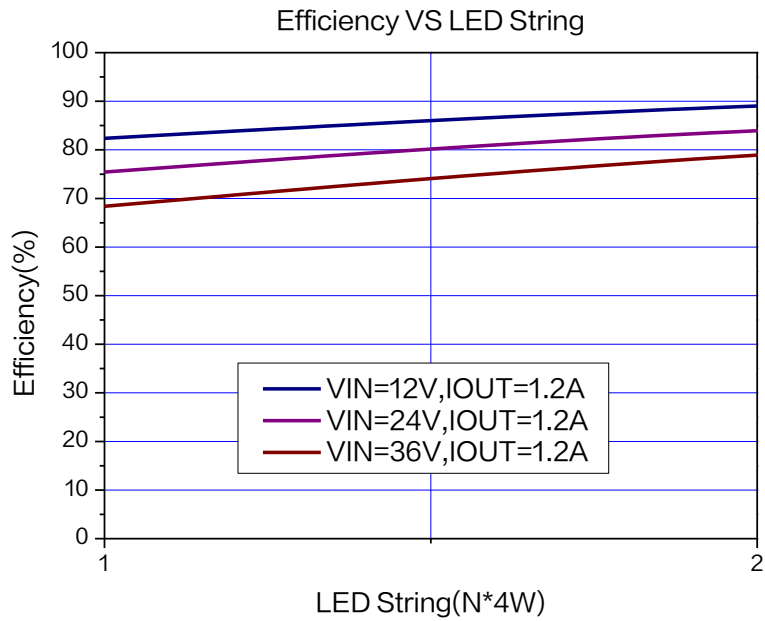


Figure11. XL9507 System Efficiency Curve ($I_{OUT}=1.2A$)

Typical System Application (PWM DIMMING)

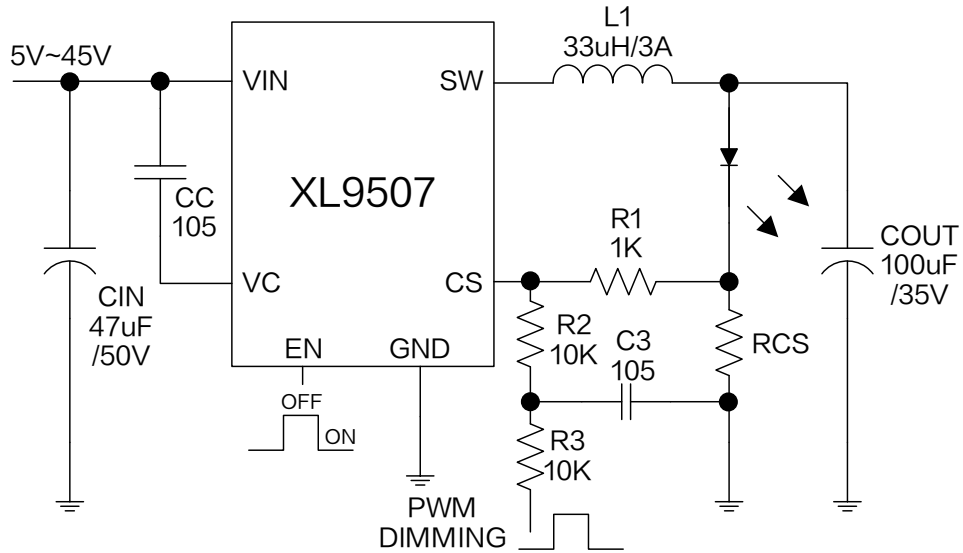


Figure12. XL9507 System Parameters Test Circuit (PWM DIMMING)

Typical Characteristics (LED forward voltage V_F is 3.3V at $I_F=0.3A$, unless otherwise noted.)

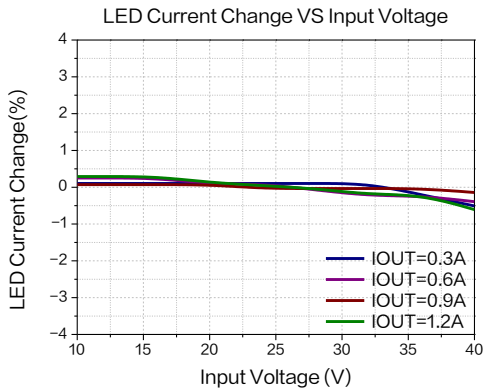


Figure13.Line Regulation

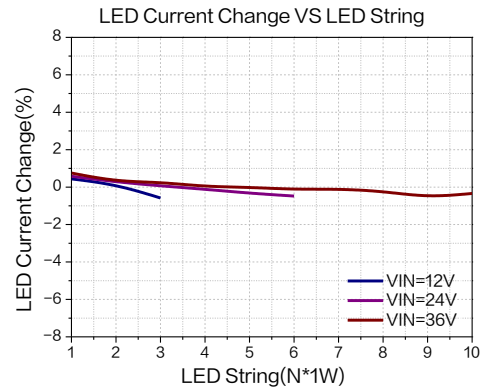


Figure14.Load Regulation

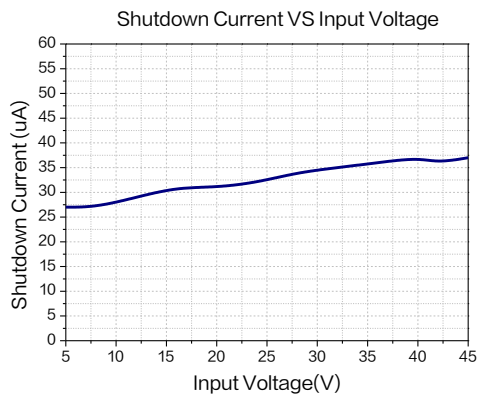


Figure15.Shutdown Current

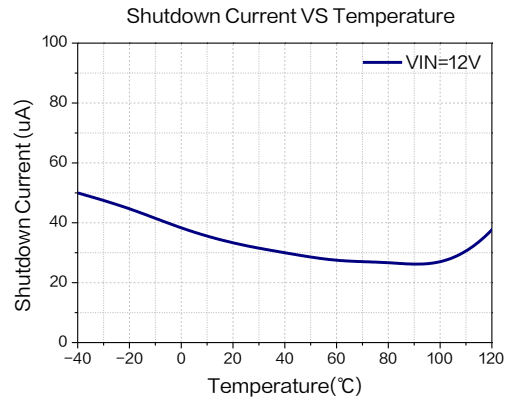


Figure16.Shutdown Current

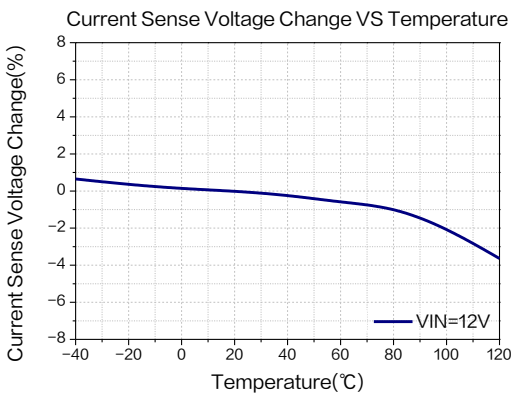


Figure17.Current Sense Voltage Regulation

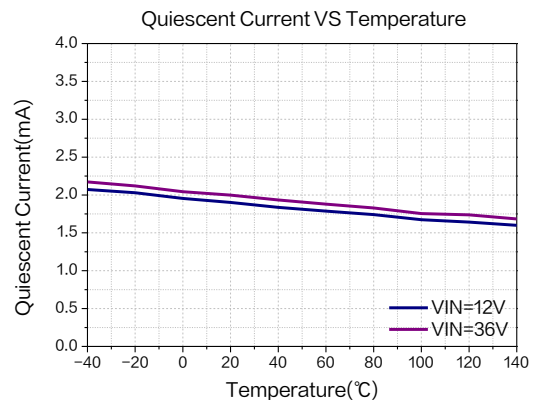


Figure18.Quiescent Current

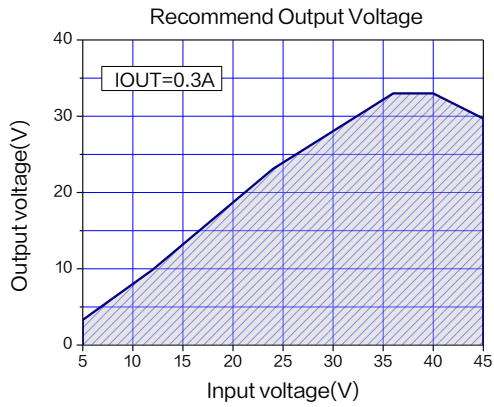


Figure19.Max Output Voltage
($I_{OUT}=0.3A$, $T_A=25^{\circ}C$)

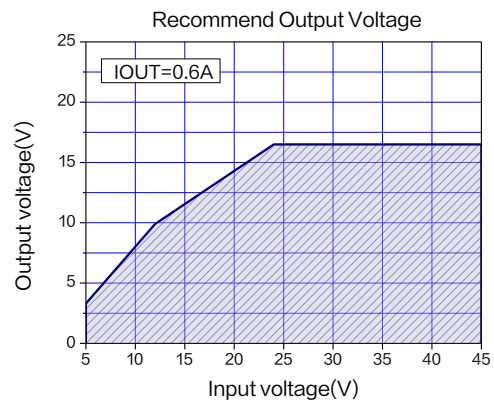


Figure20.Max Output Voltage
($I_{OUT}=0.6A$, $T_A=25^{\circ}C$)

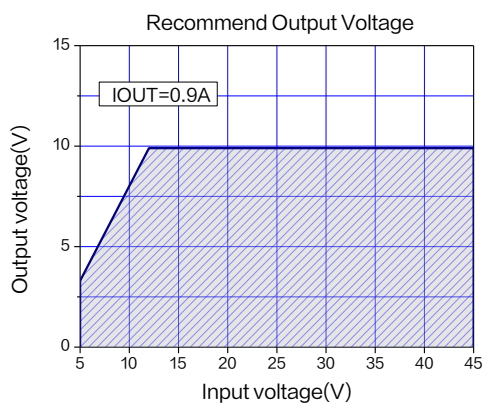


Figure21.Max Output Voltage
($I_{OUT}=0.9A$, $T_A=25^{\circ}C$)

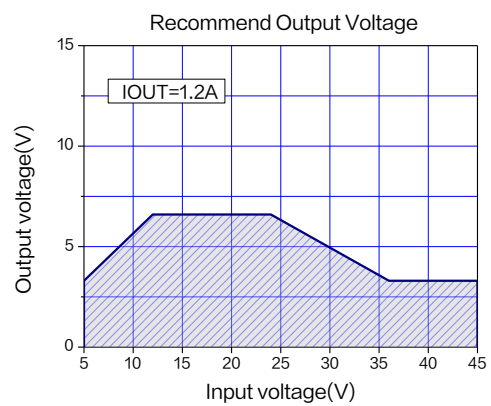


Figure22.Max Output Voltage
($I_{OUT}=1.2A$, $T_A=25^{\circ}C$)

2.0A 200KHz 50V Synchronous Buck LED Constant Current Driver

XL9507

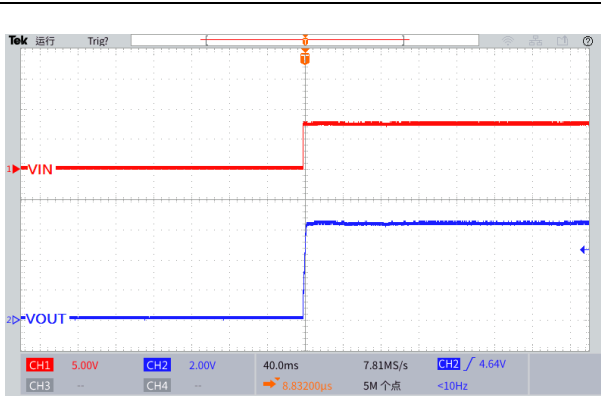


Figure23. Start-Up Characteristic
($V_{IN}=8V$, $V_{OUT}=6.6V$, $I_{OUT}=0.3A$)

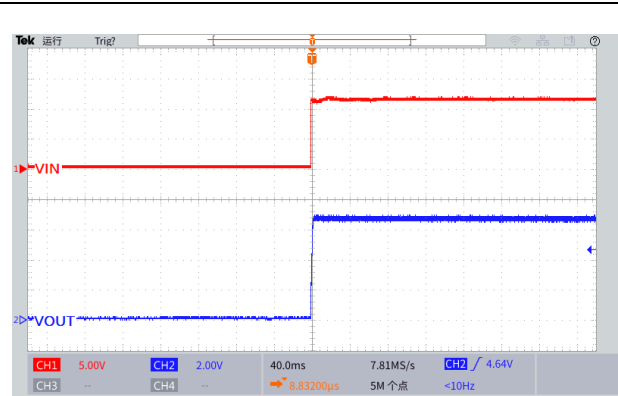


Figure24. Start-Up Characteristic
($V_{IN}=12V$, $V_{OUT}=6.6V$, $I_{OUT}=0.3A$)

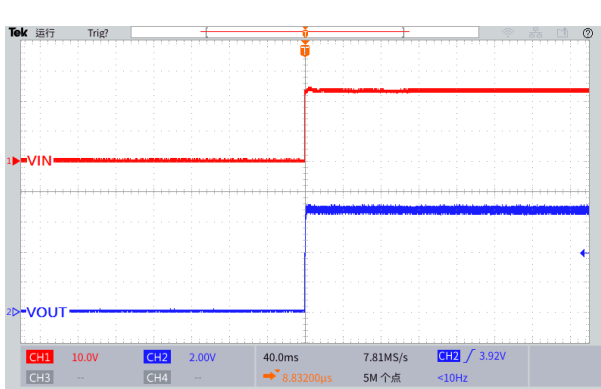


Figure25. Start-Up Characteristic
($V_{IN}=24V$, $V_{OUT}=6.6V$, $I_{OUT}=0.3A$)

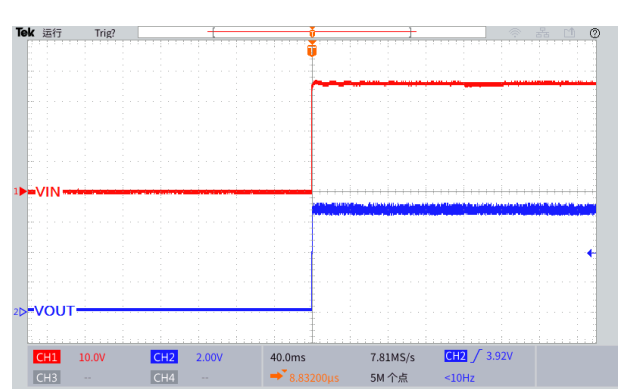


Figure26. Start-Up Characteristic
($V_{IN}=36V$, $V_{OUT}=6.6V$, $I_{OUT}=0.3A$)

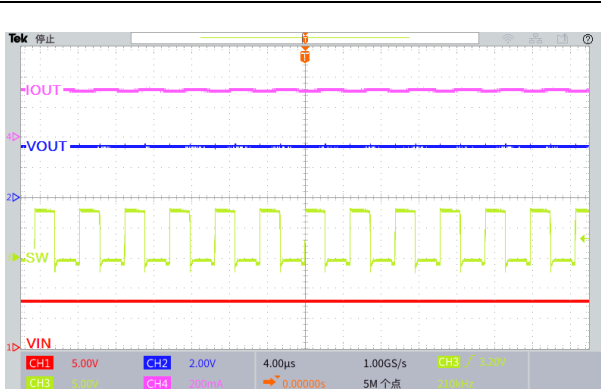


Figure27. LED Current Ripple
($V_{IN}=8V$, $V_{OUT}=3.3V$, $I_{OUT}=0.3A$)

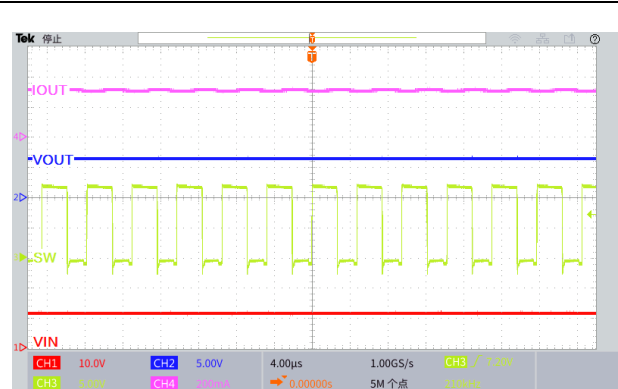


Figure28. LED Current Ripple
($V_{IN}=12V$, $V_{OUT}=6.6V$, $I_{OUT}=0.3A$)

2.0A 200KHz 50V Synchronous Buck LED Constant Current Driver

XL9507

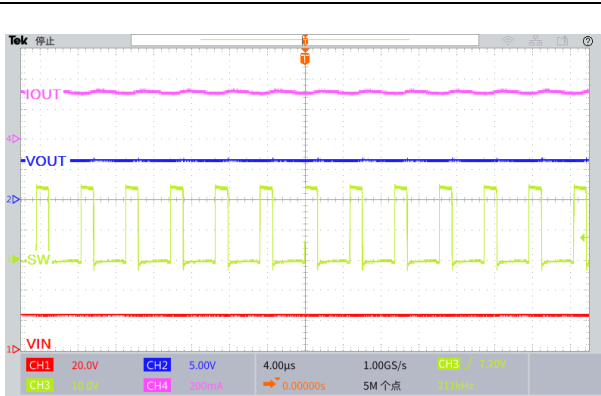


Figure29. LED Current Ripple
($V_{IN}=24V$, $V_{OUT}=9.9V$, $I_{OUT}=0.3A$)

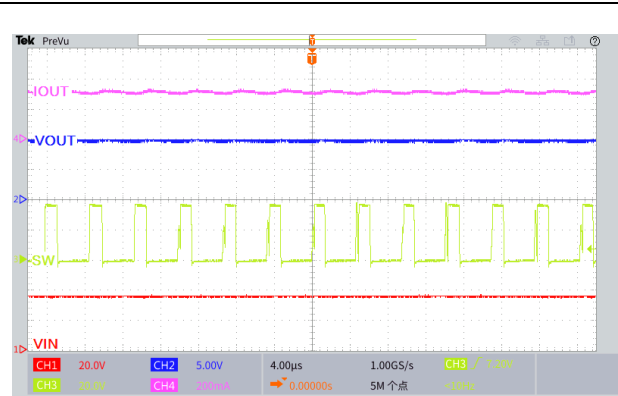


Figure30. LED Current Ripple
($V_{IN}=36V$, $V_{OUT}=13.2V$, $I_{OUT}=0.3A$)

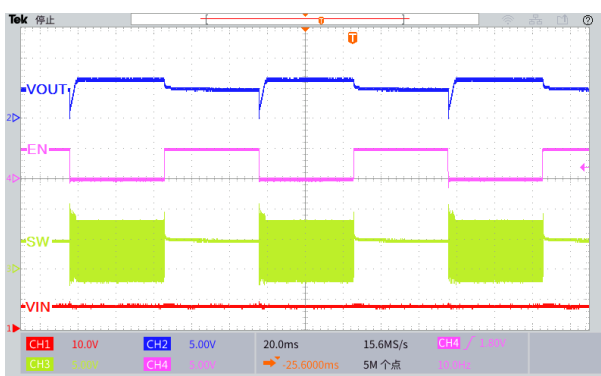


Figure31. Start or Shutdown Using EN Pin
($V_{IN}=8V$, $V_{OUT}=6.6V$, $I_{OUT}=0.3A$)

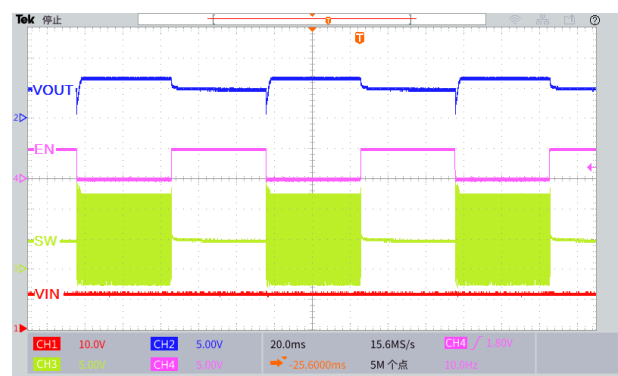


Figure32. Start or Shutdown Using EN Pin
($V_{IN}=12V$, $V_{OUT}=6.6V$, $I_{OUT}=0.3A$)

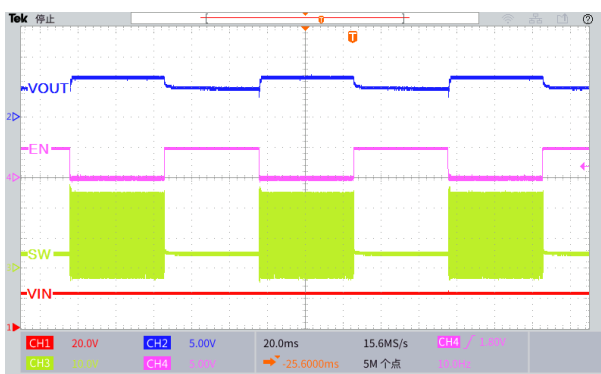


Figure33. Start or Shutdown Using EN Pin
($V_{IN}=24V$, $V_{OUT}=6.6V$, $I_{OUT}=0.3A$)

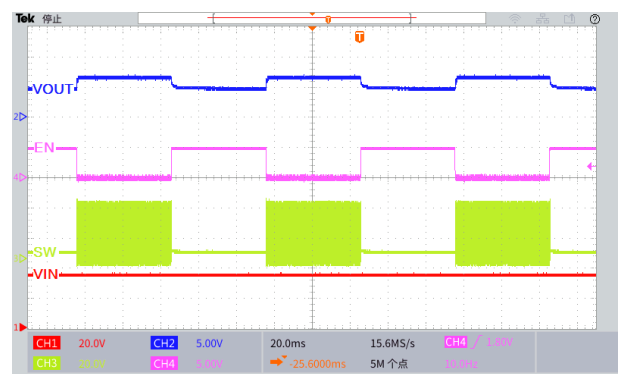
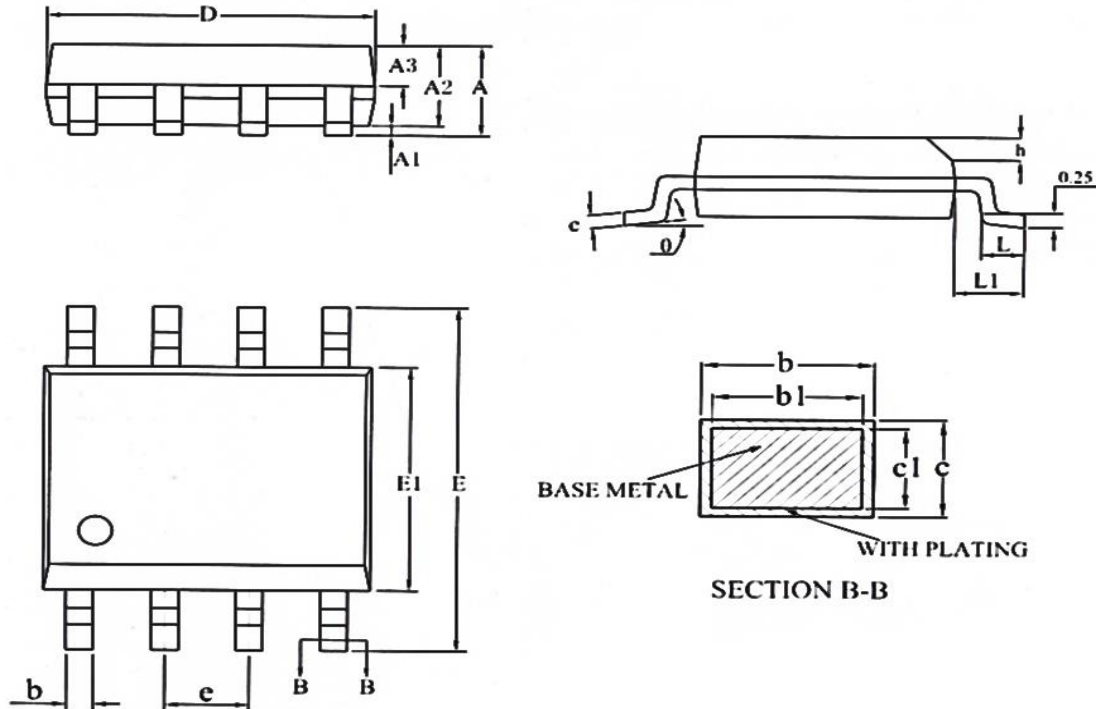


Figure34. Start or Shutdown Using EN Pin
($V_{IN}=36V$, $V_{OUT}=6.6V$, $I_{OUT}=0.3A$)

Package Information

SOP8



Symbol	Dimensions In Millimeters			Dimensions In Inches		
	Min.	Nom.	Max.	Min.	Nom.	Max.
A	1.35	1.55	1.75	0.053	0.061	0.069
A1	0.05	-	0.25	0.002	-	0.010
A2	1.25	1.40	1.65	0.049	0.055	0.065
A3	0.50	0.60	0.70	0.019	0.024	0.028
b	0.30	-	0.51	0.012	-	0.020
b1	0.29	0.41	0.48	0.011	0.016	0.018
c	0.17	-	0.25	0.007	-	0.010
c1	0.17	0.20	0.23	0.007	0.008	0.009
D	4.70	4.90	5.10	0.185	0.193	0.200
E	5.80	6.00	6.20	0.228	0.236	0.244
E1	3.80	3.90	4.00	0.150	0.154	0.157
e	1.14	1.27	1.40	0.045	0.050	0.055
h	0.25	-	0.50	0.010	-	0.020
L	0.45	-	0.80	0.017	-	0.031
L1	0.82	1.03	1.23	0.032	0.040	0.048
θ	0	-	8°	0	-	8°

2.0A 200KHz 50V Synchronous Buck LED Constant Current Driver**XL9507**

Important Notice

XLSEMI reserve the right to make modifications, enhancements, improvements, corrections or other changes without notice at any time. XLSEMI does not assume any liability arising out of the application or use of any product described herein; neither does it convey any license under its patent rights, nor the rights of others. XLSEMI assumes no liability for applications assistance or the design of Buyers' products. Buyers are responsible for their products and applications using XLSEMI components. To minimize the risks associated with Buyers' products and applications, Buyers should provide adequate design and operating safeguards. XLSEMI warrants performance of its products to the specifications applicable at the time of sale, in accordance with the warranty in XLSEMI's terms and conditions of sale of semiconductor products. Testing and other quality control techniques are used to the extent XLSEMI deems necessary to support this warranty. Except where mandated by applicable law, testing of all parameters of each component is not necessarily performed.

For the latest product information, go to www.xlsemi.com.