

**Features**

- Wide 3.6V to 24V Input Voltage Rang
- 0.22V Constant Current Sense Voltage
- Directly drive 3~8 Series 1W LED
- Fixed 400KHz Switching Frequency
- Max. 2A Switching Current Capability
- Up to 92% efficiency
- Excellent line and load regulation
- EN PIN TTL shutdown capability
- Internal Optimize Power MOSFET
- Built in LED Open Protection
- Built in Soft-Start Function
- Built in Frequency Compensation
- Built in Thermal Shutdown Function
- Built in Current Limit Function
- Available in SOP8 package

**Applications**

- LED Lighting
- Boost constant current driver
- Monitor LED Backlighting
- 7' to 15' LCD Panels

**General Description**

The XL6001 regulator is fixed frequency PWM Boost (step-up) LED constant current driver, capable of driving Series 1W LED units with excellent line and load regulation. The regulator is simple to use because it includes internal frequency compensation and a fixed-frequency oscillator so that it requires a minimum number of external components to work.

The XL6001 could directly drive 5~8 Series 1W LED units at  $V_{IN} > 12V$ .

The PWM control circuit is able to adjust the duty ratio linearly from 0 to 90%. An enable function, an over current protection function is built inside. An internal compensation block is built in to minimize external component count.

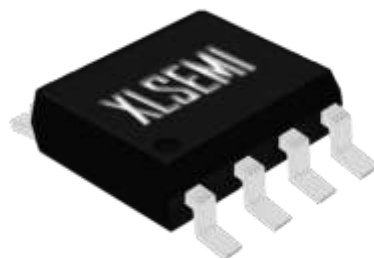


Figure1. Package Type of XL6001

---

400KHz 32V 2A Switching Current Boost LED Constant Current Driver      XL6001

---

### Pin Configurations

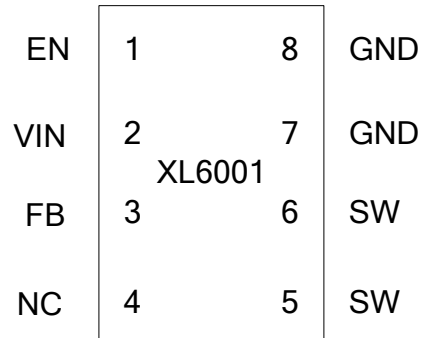


Figure2. Pin Configuration of XL6001 (Top View)

Table 1 Pin Description

Pin Number	Pin Name	Description
1	EN	Enable Pin. Drive EN pin low to turn off the device, drive it high to turn it on. Floating is default high.
2	VIN	Supply Voltage Input Pin. XL6001 operates from a 3.6V to 24V DC voltage. Bypass Vin to GND with a suitably large capacitor to eliminate noise on the input.
3	FB	Feedback Pin (FB). The feedback threshold voltage is 0.22V.
4	NC	No Connected.
5,6	SW	Power Switch Output Pin (SW). Output is the switch node that supplies power to the output.
7,8	GND	Ground Pin.

## 400KHz 32V 2A Switching Current Boost LED Constant Current Driver XL6001

### Function Block

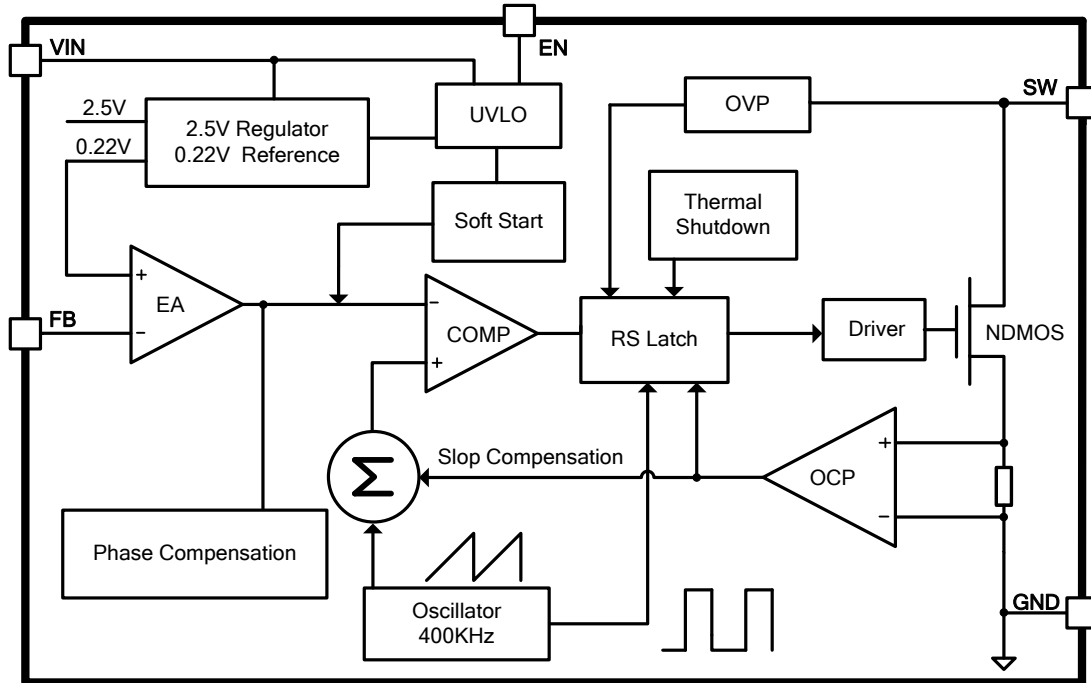


Figure3. Function Block Diagram of XL6001

### Typical Application Circuit

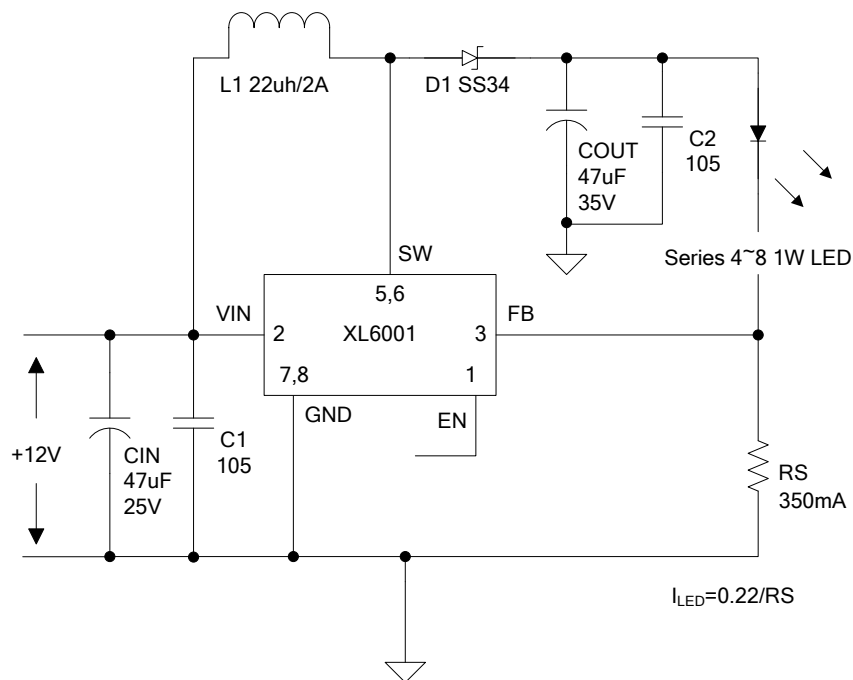


Figure4. XL6001 Typical Application Circuit

400KHz 32V 2A Switching Current Boost LED Constant Current Driver	XL6001
---	--------

## Ordering Information

Order Information	Marking ID	Package Type	Packing Type Supplied As
XL6001E1	XL6001E1	SOP8	2500/4000 Units on Tape & Reel

XLSEMI Pb-free products, as designated with “E1” suffix in the par number, are RoHS compliant.

## Absolute Maximum Ratings ( Note1 )

Parameter	Symbol	Value	Unit
Input Voltage	$V_{in}$	-0.3 to 26	V
Feedback Pin Voltage	$V_{FB}$	-0.3 to $V_{in}$	V
EN Pin Voltage	$V_{EN}$	-0.3 to $V_{in}$	V
Output Switch Pin Voltage	$V_{SW}$	-0.3 to 32	V
Power Dissipation	$P_D$	Internally limited	mW
Thermal Resistance (SOP8) (Junction to Ambient, No Heatsink, Free Air)	$R_{JA}$	100	°C/W
Operating Junction Temperature	$T_J$	-40 to 125	°C
Storage Temperature	$T_{STG}$	-65 to 150	°C
Lead Temperature (Soldering, 10 sec)	$T_{LEAD}$	260	°C
ESD (HBM)		>2000	V

**Note1:** Stresses greater than those listed under Maximum Ratings may cause permanent damage to the device. This is a stress rating only and functional operation of the device at these or any other conditions above those indicated in the operation is not implied. Exposure to absolute maximum rating conditions for extended periods may affect reliability.

400KHz 32V 2A Switching Current Boost LED Constant Current Driver	XL6001
---	--------

### XL6001 Electrical Characteristics

$T_a = 25^\circ\text{C}$ ; unless otherwise specified.

Symbol	Parameter	Test Condition	Min.	Typ.	Max.	Unit
<b>System parameters test circuit figure4</b>						
VFB	Feedback Voltage	$V_{in} = 5\text{V to } 12\text{V}, V_{out}=24\text{V}$ $I_{load}=100\text{mA}$	209	220	231	mV
$\eta$	Efficiency	$V_{in}=12\text{V}, V_{out}= 6*1\text{W LED}$ $I_{out}=0.3\text{A}$	-	92	-	%

### Electrical Characteristics (DC Parameters)

$V_{in} = 12\text{V}$ ,  $GND=0\text{V}$ ,  $V_{in}$  &  $GND$  parallel connect a  $47\mu\text{f}/25\text{V}$  capacitor;  $I_{out}=50\text{mA}$ ,  $T_a = 25^\circ\text{C}$ ; the others floating unless otherwise specified.

Parameters	Symbol	Test Condition	Min.	Typ.	Max.	Unit
Input operation voltage	$V_{in}$		3.6		24	V
Shutdown Supply Current	$I_s$	$V_{EN}=0\text{V}$		70	100	$\mu\text{A}$
Quiescent Supply Current	$I_q$	$V_{EN}=2\text{V},$ $V_{FB}=V_{in}$		2.5	5	mA
Oscillator Frequency	$F_{osc}$		320	400	480	KHz
Switch Current Limit	$I_L$	$V_{FB}=0\text{V}$		2		A
Output Power NMOS	$R_{dson}$	$V_{in}=12\text{V},$ $I_{SW}=2\text{A}$		110	120	mohm
EN Pin Threshold	$V_{EN}$	High (Regulator ON) Low (Regulator OFF)		1.4 0.8		V
EN Pin Input Leakage Current	$I_H$	$V_{EN}=2\text{V (ON)}$		3	10	$\mu\text{A}$
	$I_L$	$V_{EN}=0\text{V (OFF)}$		3	10	$\mu\text{A}$
Max. Duty Cycle	$D_{MAX}$	$V_{FB}=0\text{V}$		90		%

Typical System Application for VIN=5V to driver 2~3 x 1W series LED units

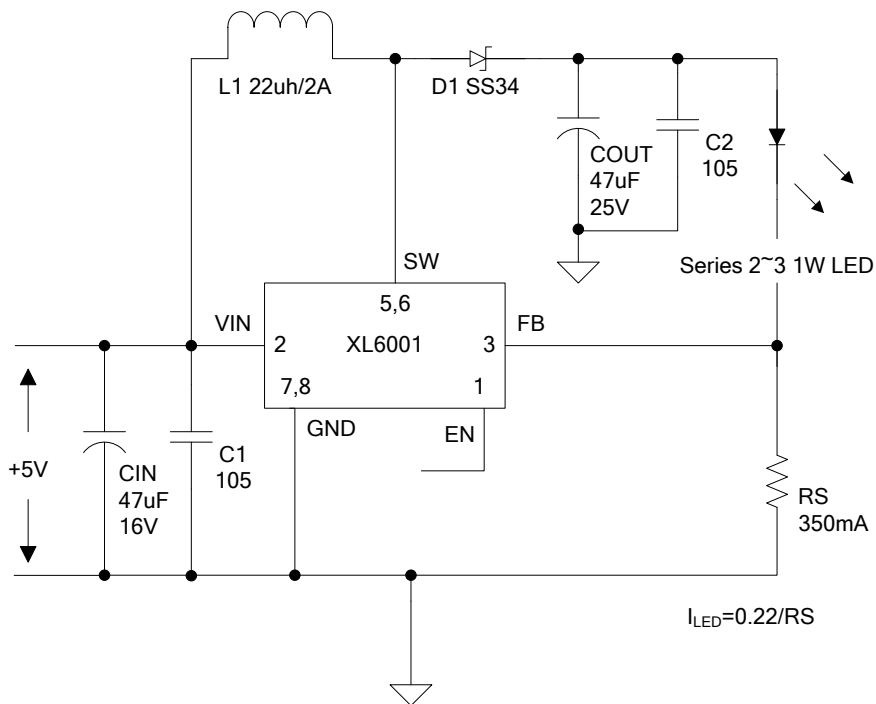


Figure5. XL6001 System Parameters Test Circuit (2~3 x 1W LED)

Typical System Application for VIN=12V to driver 4~8 x 1W series LED units

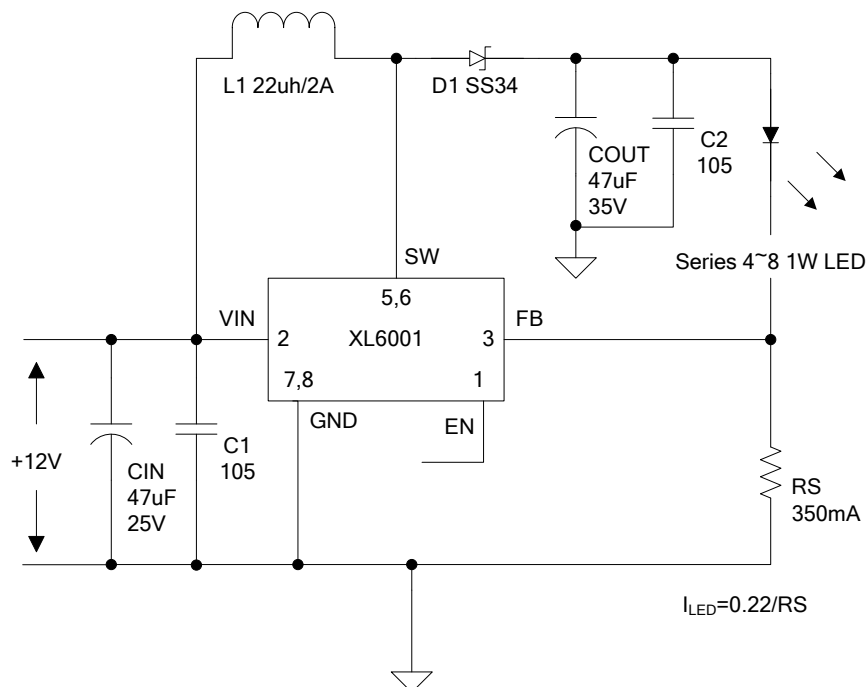


Figure6. XL6001 System Parameters Test Circuit (4~8 x 1W LED)

Typical System Application for VIN=12V to driver 4~8 x 1W series LED units With PWM Dimming

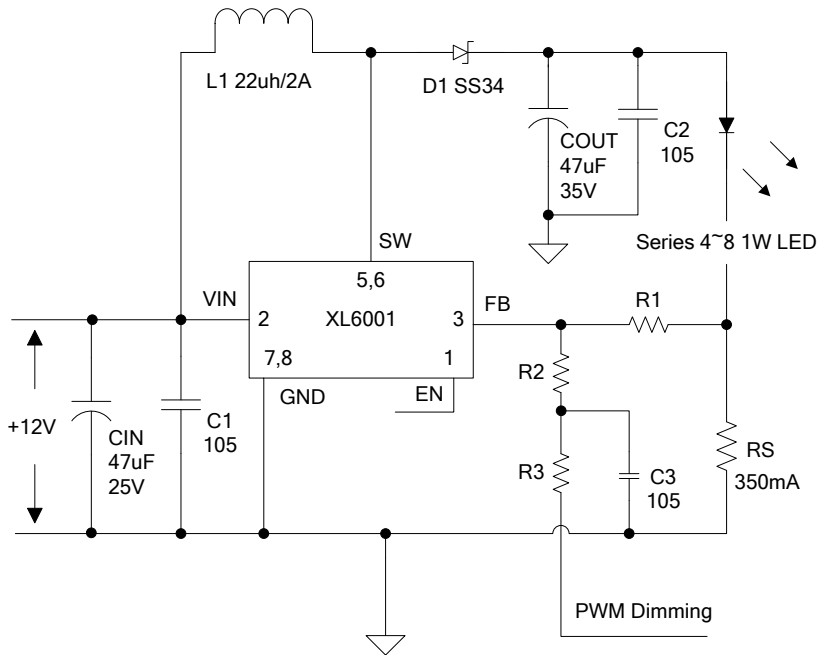


Figure7. XL6001 System Parameters Test Circuit (4~8 x 1W LED with PWM Dimming)

Typical System Application for SEPIC Buck-Boost LED Driver

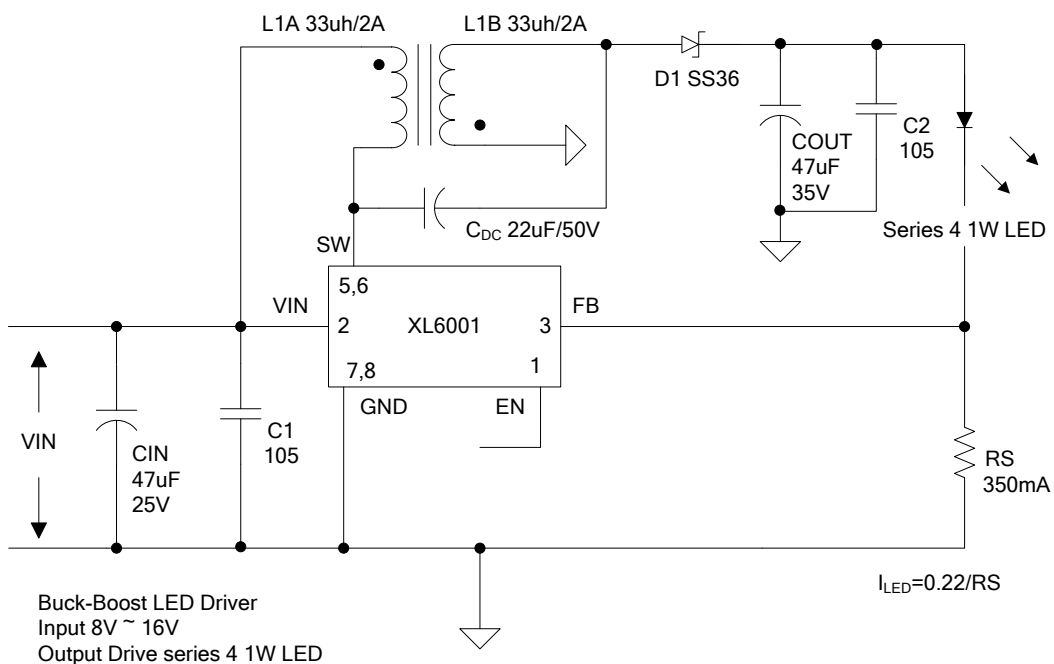


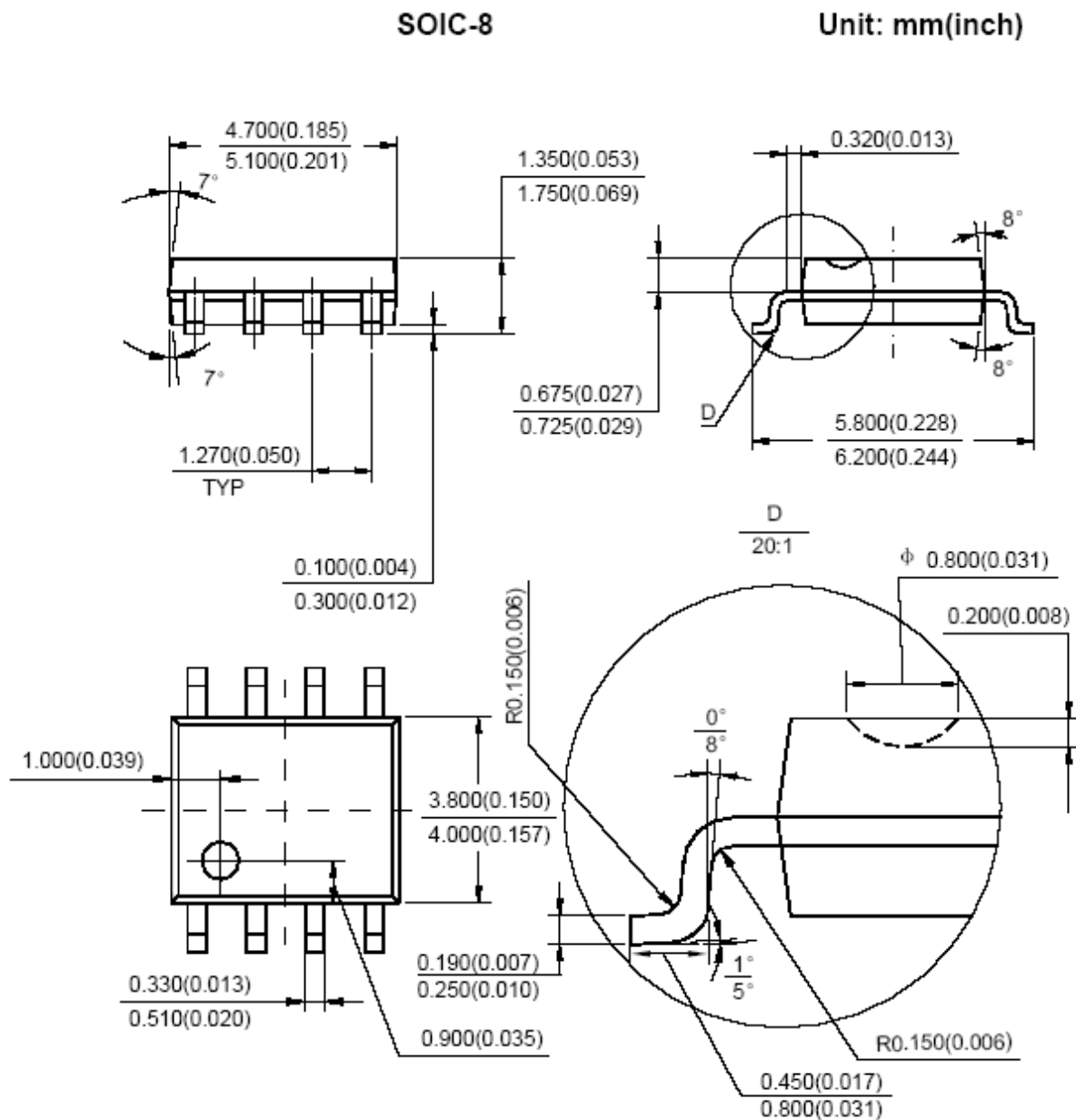
Figure8. XL6001 System Parameters Test Circuit (Buck-Boost LED Driver)

400KHz 32V 2A Switching Current Boost LED Constant Current Driver

XL6001

### Package Information

### SOP8 Mechanical Dimensions





---

**400KHz 32V 2A Switching Current Boost LED Constant Current Driver****XL6001**

---

**Important Notice**

XLSEMI reserve the right to make modifications, enhancements, improvements, corrections or other changes without notice at any time. XLSEMI does not assume any liability arising out of the application or use of any product described herein; neither does it convey any license under its patent rights, nor the rights of others. XLSEMI assumes no liability for applications assistance or the design of Buyers' products. Buyers are responsible for their products and applications using XLSEMI components. To minimize the risks associated with Buyers' products and applications, Buyers should provide adequate design and operating safeguards. XLSEMI warrants performance of its products to the specifications applicable at the time of sale, in accordance with the warranty in XLSEMI's terms and conditions of sale of semiconductor products. Testing and other quality control techniques are used to the extent XLSEMI deems necessary to support this warranty. Except where mandated by applicable law, testing of all parameters of each component is not necessarily performed.

For the latest product information, go to [www.xlsemi.com](http://www.xlsemi.com).