

150KHz 60V 3A Buck DC to DC Converter

XL1507A

Features

- Operating Voltage: 4.5V~50V
- Adjustable and 5.0V Versions
- Output Adjustable from 1.23V to 48V
- Maximum Duty Cycle 100%
- Feedback Voltage Accuracy $\pm 1.5\%$
- Minimum Drop Out 1.5V
- Fixed 150KHz Switching Frequency
- 3A Constant Output Current Capability
- Internal Optimize HV Power Transistor
- High efficiency up to 90%
- Excellent line and load regulation
- TTL shutdown capability
- Built in thermal shutdown function
- Built in current limit protection function
- Built in output short protection function
- Temperature Grade 1: -40°C to 125°C
Ambient Operating Temperature Range
- Device HBM ESD Classification Level Class3B
- Available in TO252-5L package

General Description

The XL1507A is a 150 KHz fixed frequency buck DC/DC converter, capable of driving a 3A load with high voltage, high efficiency. The XL1507A supports wide input operating voltage range of 4.5V ~ 50V and a maximum duty cycle of 100% output. A built-in loop compensation module reduces components in the system, lowering power system cost and reducing printed circuit board space. The XL1507A is available in both adjustable and fixed 5.0V versions. The XL1507A has built-in thermal shutdown, current limit protection and output short protection function and so on. When the output short protection function happens, the operation frequency will be reduced about from 150KHz to 30KHz.

Applications

- Automotive Electronics
- Industrial Control
- Networking Equipment
- Internet of Things

Typical application schematic

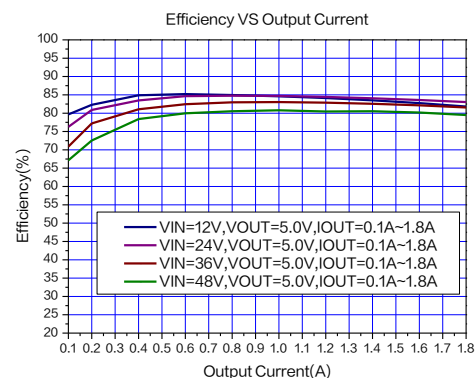
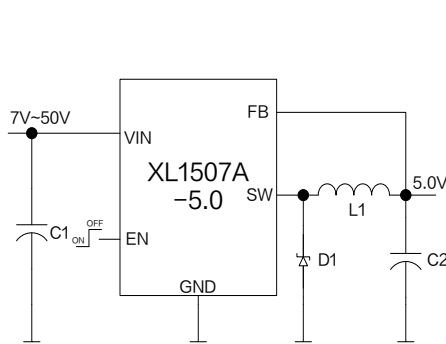


Figure1.XL1507A-5.0 Typical application schematic and efficiency curve

Pin Configurations

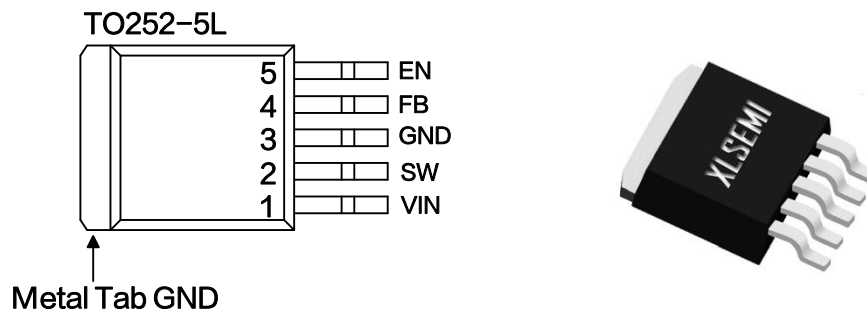


Figure2. Pin Configuration of XL1507A

Table 1. Pin Description

Pin Number	Pin Name	Description
1	VIN	Supply Voltage Input Pin. XL1507A DC operating voltage range from a 4.5V to 50V . Bypass VIN to GND with a suitably large capacitor to eliminate noise on the input.
2	SW	Power Switch Output Pin (SW). Output is the switch node that supplies power to the output.
3	GND	Ground Pin.
4	FB	Feedback Pin (FB). Through an external resistor divider network, detects the output voltage for adjustment, with an adjustable version reference voltage of 1.23V.
5	EN	Enable Pin. Drive EN pin low to turn on the device, drive it high to turn it off. Floating is default low.

Ordering Information

Order Information	Marking ID	Package Type	Packing Type Supplied As
XL1507A-ADJE1	XL1507A-ADJE1	TO252-5L	2500 Units on Reel
XL1507A-5.0E1	XL1507A-5.0E1	TO252-5L	2500 Units on Reel

Green (RoHS & HF): XLSEMI defines "Green" to mean Pb-Free (RoHS compatible) and free of halogen substances.

Function Block

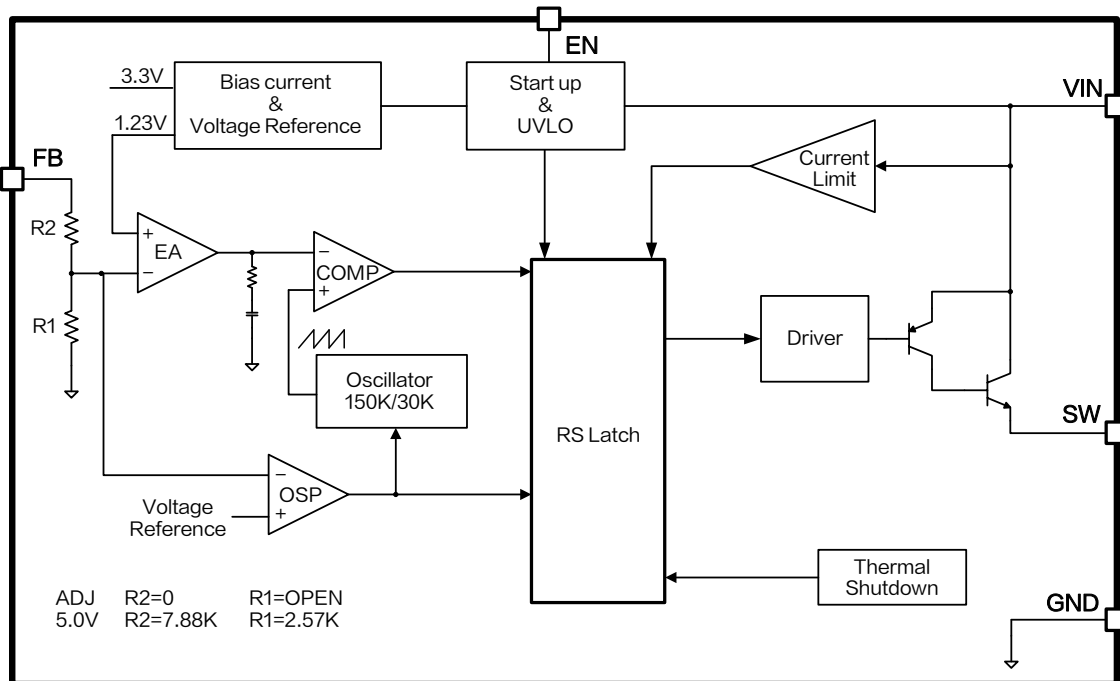


Figure3. Function Block Diagram of XL1507A

Absolute Maximum Ratings (Note1)

Parameter	Symbol	Value	Unit
Input Voltage	V_{IN}	-0.3~60	V
Feedback Pin Voltage	V_{FB}	-0.3~20	V
EN Pin Voltage	V_{EN}	-0.3~7	V
Output Switch Pin Voltage	V_{SW}	-0.3~ V_{IN}	V
Power Dissipation	P_D	Internally limited	mW
Thermal Resistance (TO252-5L) (Junction to Ambient, No Heatsink, Free Air)	R_{JA}	50	°C/W
Operating Junction Temperature	T_J	-40~150	°C
Storage Temperature	T_{STG}	-65~150	°C
Lead Temperature (Soldering, 10 sec)	T_{LEAD}	260	°C
ESD (HBM)		> 8000	V

Note1: Stresses greater than those listed under Maximum Ratings may cause permanent damage to the device. This is a stress rating only and functional operation of the device at these or any other conditions above those indicated in the operation is not implied. Exposure to absolute maximum rating conditions for extended periods may affect reliability.

150KHz 60V 3A Buck DC to DC Converter

XL1507A

XL1507A-ADJ Electrical Characteristics

$T_A = 25^\circ\text{C}$; System parameters test circuit figure4 and figure6, unless otherwise specified.

Symbol	Parameter	Test Condition	Min.	Typ.	Max.	Unit
V_{FB}	Feedback Voltage	$V_{IN} = 12\text{V}, V_{OUT} = 5.0\text{V}$ $I_{OUT} = 0.5\text{A}$	1.212	1.23	1.248	V
η	Efficiency	$V_{IN} = 12\text{V}, V_{OUT} = 5.0\text{V}$ $I_{OUT} = 1.5\text{A}$	-	83.6	-	%
η	Efficiency	$V_{IN} = 24\text{V}, V_{OUT} = 15\text{V}$ $I_{OUT} = 0.7\text{A}$	-	91.5	-	%

XL1507A-5.0 Electrical Characteristics

$T_A = 25^\circ\text{C}$; System parameters test circuit figure8, unless otherwise specified.

Symbol	Parameter	Test Condition	Min.	Typ.	Max.	Unit
V_{OUT}	Output Voltage	$V_{IN} = 12\text{V}$ $I_{OUT} = 0.5\text{A}$	4.925	5.0	5.075	V
η	Efficiency	$V_{IN} = 12\text{V}, V_{OUT} = 5.0\text{V}$ $I_{OUT} = 1.5\text{A}$	-	83.6	-	%

150KHz 60V 3A Buck DC to DC Converter

XL1507A

Electrical Characteristics (DC Parameters)

$T_A = 25^\circ\text{C}$, $V_{IN}=12\text{V}$, $V_{EN}=0\text{V}$, System parameters test circuit figure4, unless otherwise specified.

Parameters	Symbol	Test Condition	Min.	Typ.	Max.	Unit
Operating Voltage	V_{IN}		4.5		50	V
Shutdown Supply Current	I_S	$V_{EN}=2\text{V}$		46	100	μA
Quiescent Supply Current	I_Q	$V_{FB}=10\text{V}$		1.3	2.0	mA
Oscillator Frequency	F_{OSC}		135	150	165	KHz
Switch Current Limit	I_L	$V_{FB}=0\text{V}$		3.4		A
EN Pin Threshold Voltage	V_{EN_H}	High (Regulator OFF)	1.4			V
	V_{EN_L}	Low (Regulator ON)			0.8	V
EN Pin Current	I_{EN}	$V_{EN}=2.0\text{V}$		5		μA
Output Saturation Voltage	V_{CE}	$V_{FB}=0\text{V}$ $I_{OUT}=2\text{A}$		1.1	1.3	V
Max. Duty Cycle	D_{MAX}	$V_{FB}=0\text{V}$		100		%
Thermal Shutdown Temperature	T_{SD}			180		$^\circ\text{C}$
Thermal Shutdown Hysteresis	T_D			50		$^\circ\text{C}$

150KHz 60V 3A Buck DC to DC Converter XL1507A

Typical System Application Schematic for ADJ Version

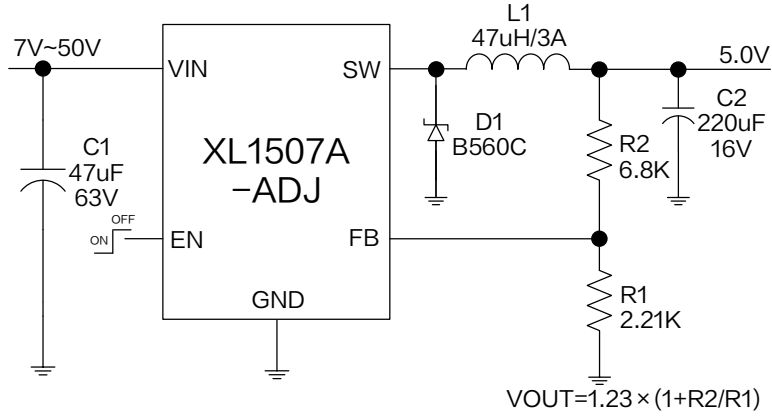


Figure4. XL1507A-ADJ System Parameters Test Circuit($V_{OUT}=5.0V$)

Typical System Application Transfer Efficiency

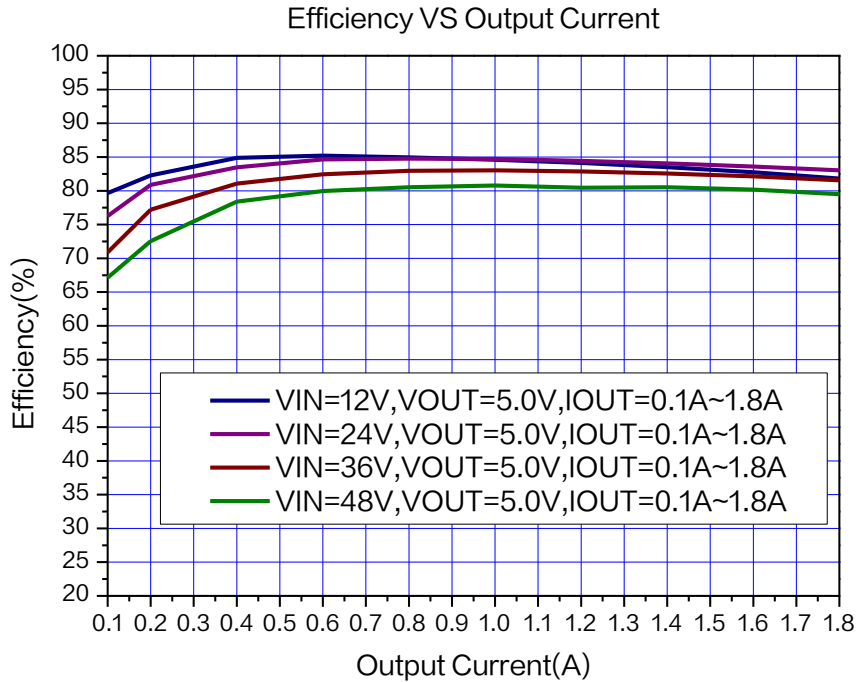


Figure5. XL1507A-ADJ System Efficiency Curve

Typical System Application Schematic for ADJ Version

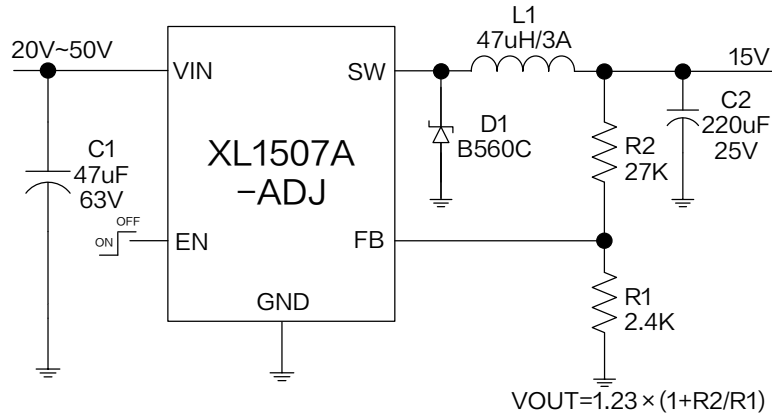


Figure6. XL1507A-ADJ System Parameters Test Circuit($V_{OUT}=15V$)

Typical System Application Transfer Efficiency

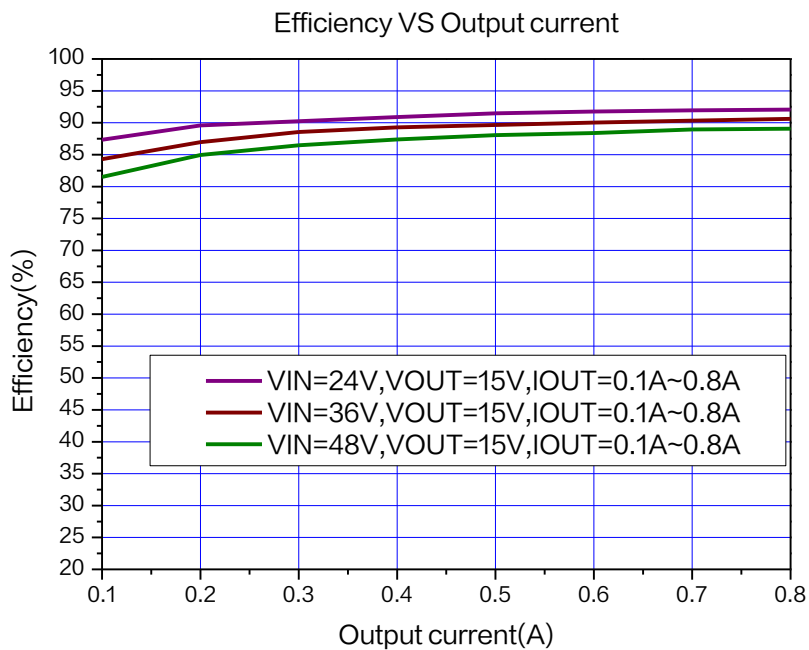


Figure7. XL1507A-ADJ System Efficiency Curve

150KHz 60V 3A Buck DC to DC Converter XL1507A

Typical System Application Schematic for 5.0V Version

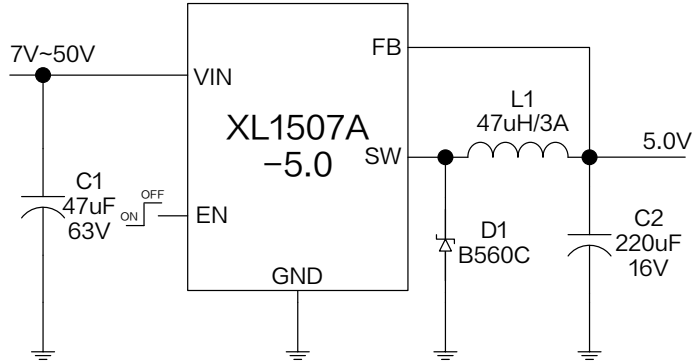


Figure8. XL1507A-5.0 System Parameters Test Circuit

Typical System Application Transfer Efficiency

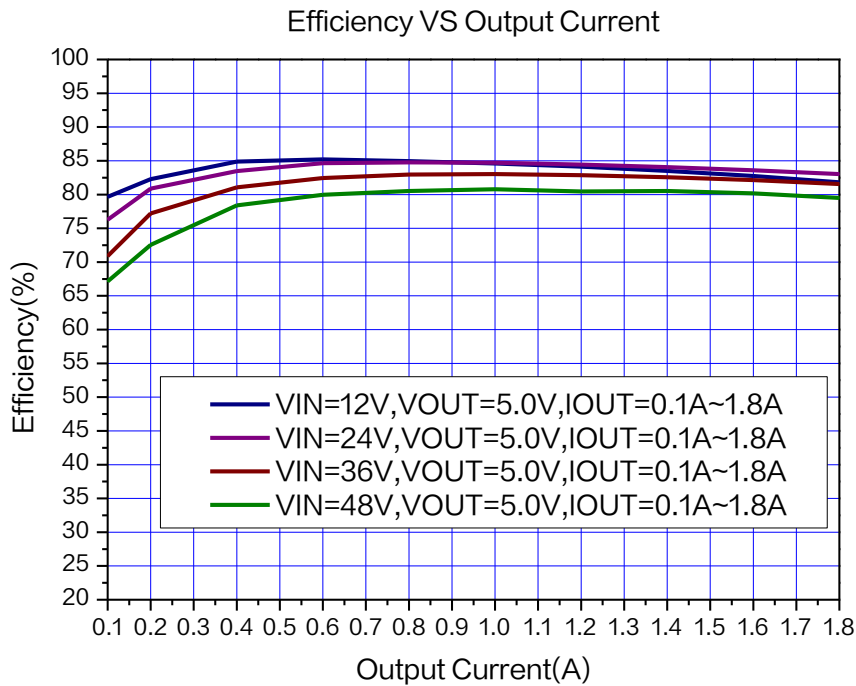
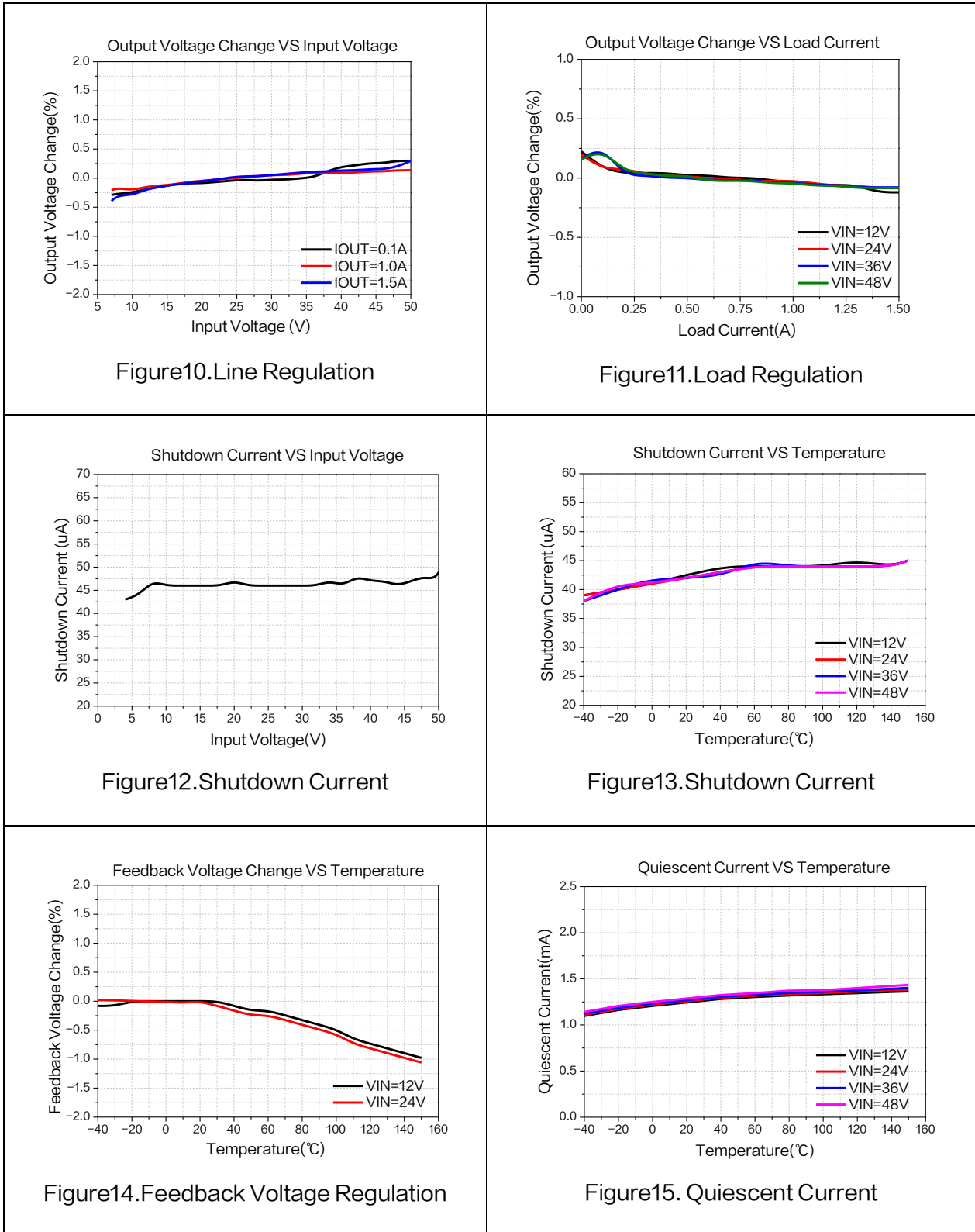


Figure9. XL1507A-5.0 System Efficiency Curve

Typical Characteristics



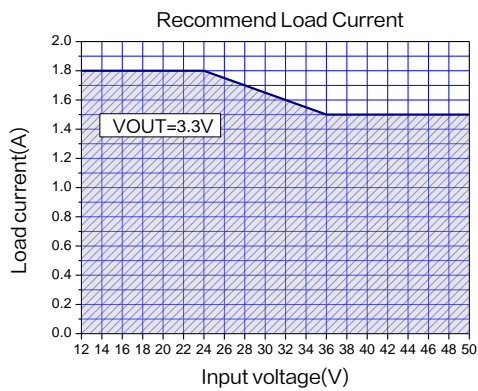


Figure 16.Max Output Current
(V_{OUT}=3.3V, T_A=25°C)

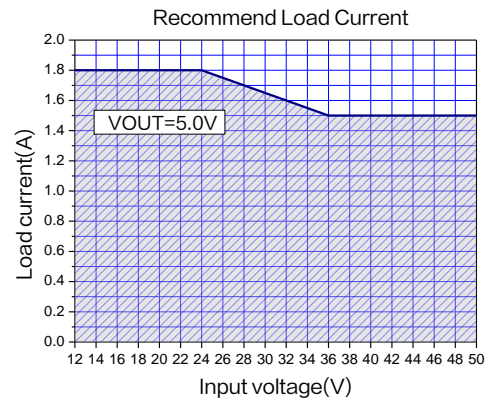


Figure 17.Max Output Current
(V_{OUT}=5.0V, T_A=25°C)

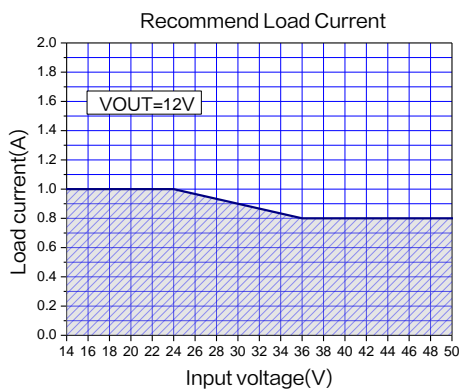


Figure 18.Max Output Current
(V_{OUT}=12V, T_A=25°C)

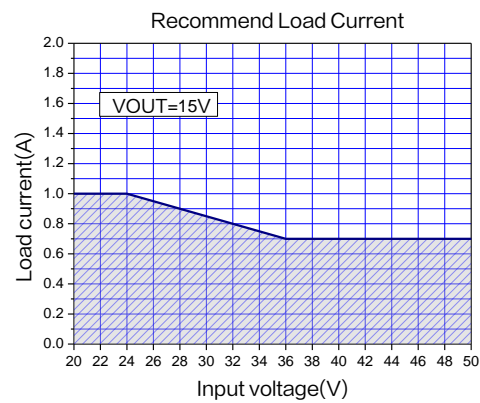


Figure 19.Max Output Current
(V_{OUT}=15V, T_A=25°C)

150KHz 60V 3A Buck DC to DC Converter

XL1507A

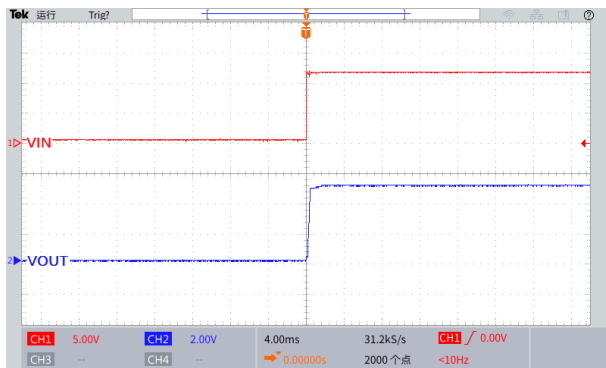


Figure20. Start-Up Characteristic
($V_{IN}=12V$, $V_{OUT}=5.0V$, $I_{OUT}=0.1A$)

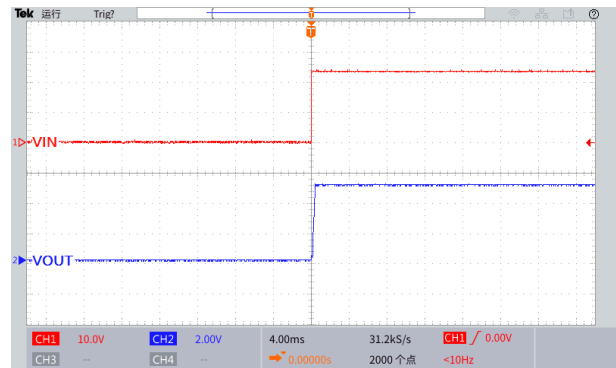


Figure21. Start-Up Characteristic
($V_{IN}=24V$, $V_{OUT}=5.0V$, $I_{OUT}=0.1A$)

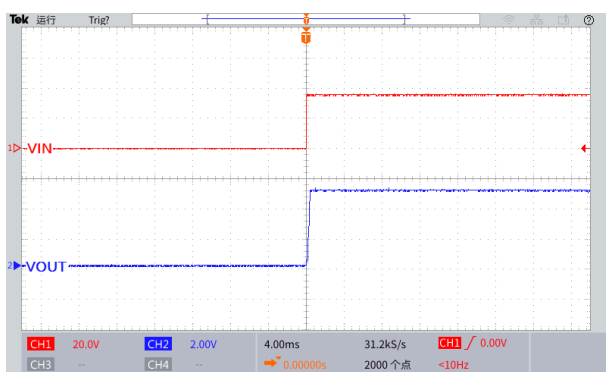


Figure22. Start-Up Characteristic
($V_{IN}=36V$, $V_{OUT}=5.0V$, $I_{OUT}=0.1A$)

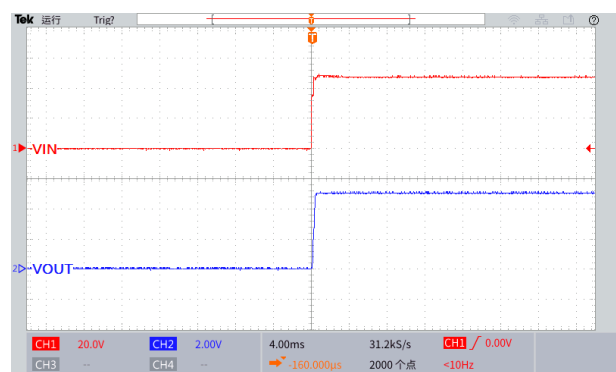


Figure23. Start-Up Characteristic
($V_{IN}=48V$, $V_{OUT}=5.0V$, $I_{OUT}=0.1A$)

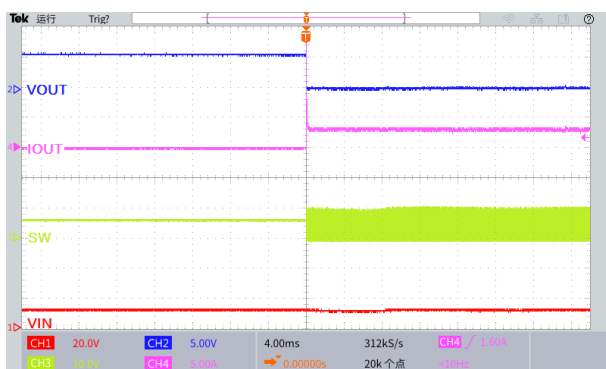


Figure24. Output Short Circuit Waveform
($V_{IN}=12V$, $V_{OUT}=5.0V$)

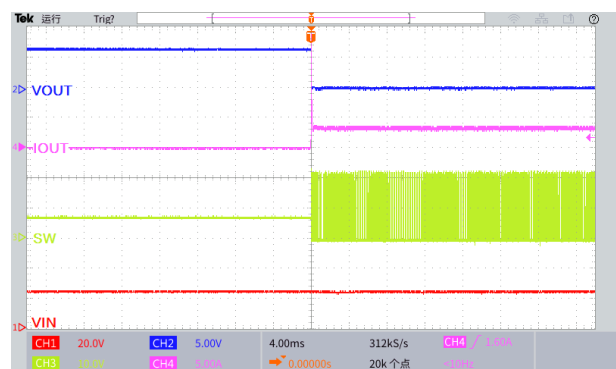


Figure25. Output Short Circuit Waveform
($V_{IN}=24V$, $V_{OUT}=5.0V$)

150KHz 60V 3A Buck DC to DC Converter

XL1507A

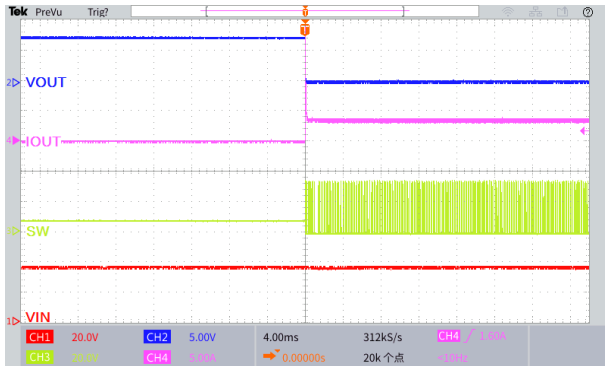


Figure26. Output Short Circuit Waveform
($V_{IN}=36V$, $V_{OUT}=5.0V$)

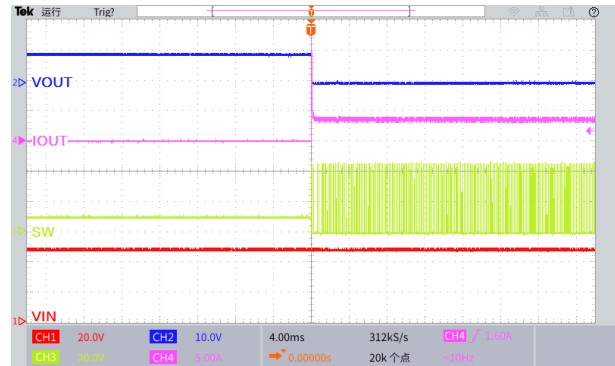


Figure27. Output Short Circuit Waveform
($V_{IN}=48V$, $V_{OUT}=5.0V$)

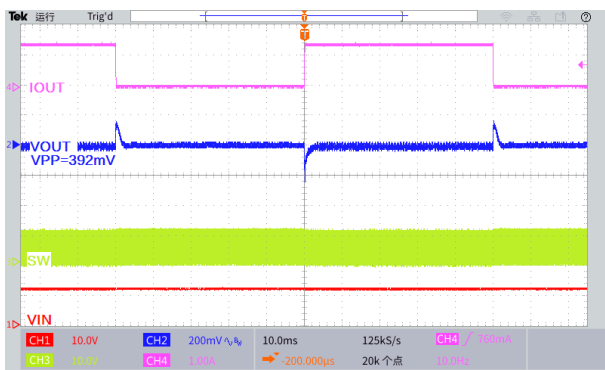


Figure28. Load Transient Response
($V_{IN}=12V$, $V_{OUT}=5.0V$, $I_{OUT}=0.1$ to $1.5A$)

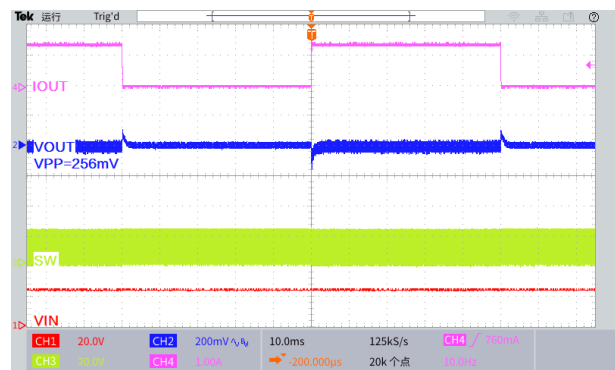


Figure29. Load Transient Response
($V_{IN}=24V$, $V_{OUT}=5.0V$, $I_{OUT}=0.1$ to $1.5A$)

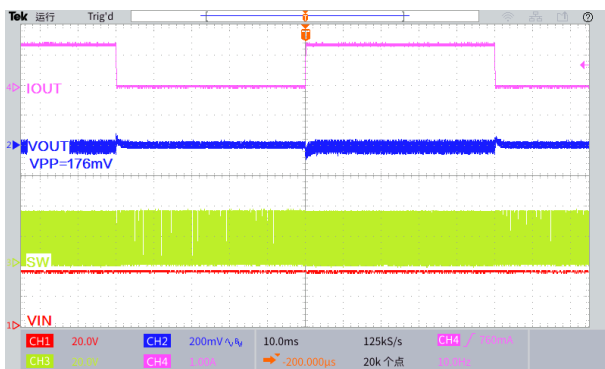


Figure30. Load Transient Response
($V_{IN}=36V$, $V_{OUT}=5.0V$, $I_{OUT}=0.1$ to $1.5A$)

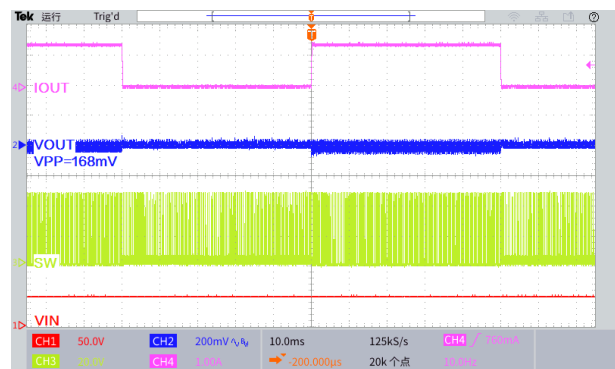


Figure31. Load Transient Response
($V_{IN}=48V$, $V_{OUT}=5.0V$, $I_{OUT}=0.1$ to $1.5A$)

150KHz 60V 3A Buck DC to DC Converter

XL1507A

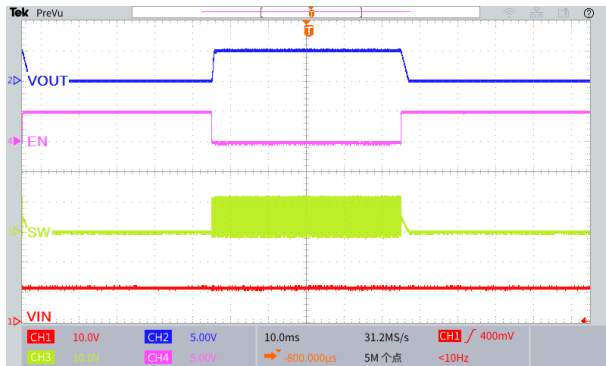


Figure32. Start or Shutdown Using EN Pin
($V_{IN}=12V$, $V_{OUT}=5.0V$, $I_{OUT}=0.5A$)



Figure33. Start or Shutdown Using EN Pin
($V_{IN}=24V$, $V_{OUT}=5.0V$, $I_{OUT}=0.5A$)

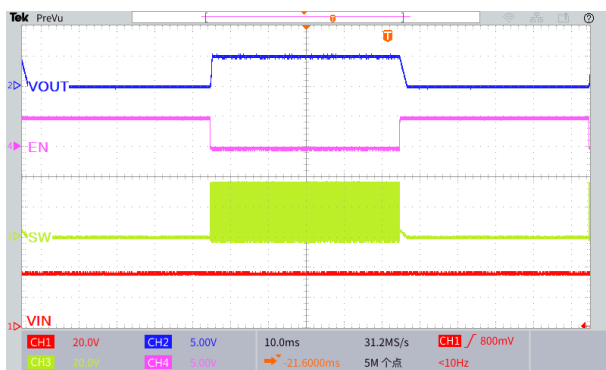


Figure34. Start or Shutdown Using EN Pin
($V_{IN}=36V$, $V_{OUT}=5.0V$, $I_{OUT}=0.5A$)



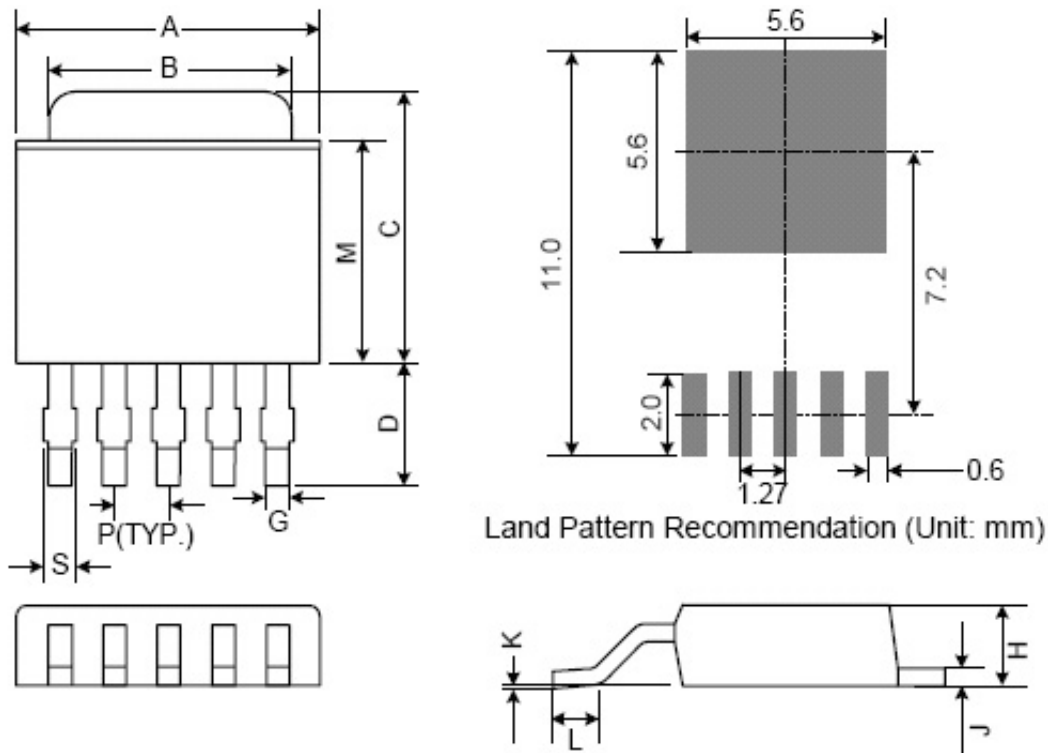
Figure35. Start or Shutdown Using EN Pin
($V_{IN}=48V$, $V_{OUT}=5.0V$, $I_{OUT}=0.5A$)

150KHz 60V 3A Buck DC to DC Converter

XL1507A

Package Information

TO252-5L



Symbol	Dimensions In Millimeters			Dimensions In Inches		
	Min.	Nom.	Max.	Min.	Nom.	Max.
A	6.35	6.60	6.85	0.250	0.260	0.270
B	5.20	5.35	5.50	0.205	0.211	0.217
C	6.80	7.00	7.30	0.268	0.276	0.287
D	2.40	2.80	3.20	0.094	0.110	0.126
P	1.27 REF.			0.05 REF.		
S	0.50	0.65	0.80	0.020	0.026	0.031
G	0.40	0.50	0.63	0.016	0.020	0.025
H	2.20	2.30	2.40	0.087	0.091	0.094
J	0.45	0.52	0.58	0.018	0.020	0.023
K	0.00	0.08	0.15	0.000	0.003	0.006
L	0.90	1.20	1.63	0.035	0.047	0.064
M	5.40	5.80	6.20	0.213	0.228	0.244

150KHz 60V 3A Buck DC to DC Converter**XL1507A**

Important Notice

XLSEMI reserve the right to make modifications, enhancements, improvements, corrections or other changes without notice at any time. XLSEMI does not assume any liability arising out of the application or use of any product described herein; neither does it convey any license under its patent rights, nor the rights of others. XLSEMI assumes no liability for applications assistance or the design of Buyers' products. Buyers are responsible for their products and applications using XLSEMI components. To minimize the risks associated with Buyers' products and applications, Buyers should provide adequate design and operating safeguards. XLSEMI warrants performance of its products to the specifications applicable at the time of sale, in accordance with the warranty in XLSEMI's terms and conditions of sale of semiconductor products. Testing and other quality control techniques are used to the extent XLSEMI deems necessary to support this warranty. Except where mandated by applicable law, testing of all parameters of each component is not necessarily performed.

For the latest product information, go to www.xlsemi.com.